

Competitors

#	Name	Grade	Club	1	2	Wins	Pts	Pos
1	MAYOROV Philipp	3k	ON/challenge		10	1	10	1
2	CROUSSETTE Loïc	2k	QC/Judoshère			0	0	2

Matches

Match	White	Blue	Result	Time	Code
1	MAYOROV Philipp	1 2 CROUSSETTE Loïc	10 - 0	0:00	IPO

Results

Pos	Name
1	MAYOROV Philipp, ON/challenge
2	CROUSSETTE Loïc, QC/Judoshère

Competitors

#	Name	Grade	Club	1	2	Wins	Pts	Pos
1	QUIEDEVILLE Laurent	2k	QC/Vieille-Capitale		10	1	10	1
2	KEARNEY Alexis	3k	QC/Blainville			0	0	2

Matches

Match	White	Blue	Result	Time	Code
1	QUIEDEVILLE Laurent	1 2 KEARNEY Alexis	10 - 0	0:00	IPO

Results

Pos	Name
1	QUIEDEVILLE Laurent, QC/Vieille-Capitale
2	KEARNEY Alexis, QC/Blainville

Competitors

#	Name	Grade	Club	1	2	Wins	Pts	Pos
1	CHAOUKI Mohamed	3k	QC/hakudokan			0	0	2
2	GRENIER Jérémie	3k+	QC/JSK Laterrière	10		1	10	1

Matches

Match	White	Blue	Result	Time	Code
1	CHAOUKI Mohamed	1 2 GRENIER Jérémie	0 - 10	0:00	IPO

Results

Pos	Name
1	GRENIER Jérémie, QC/JSK Laterrière
2	CHAOUKI Mohamed, QC/hakudokan

Competitors

#	Name	Grade	Club	1	2	Wins	Pts	Pos
1	DURAND Vincent	3k	QC/cjvr			0	0	2
2	GORBACHUK Lucca	3k	QC/St-Jean-Bosco	10		1	10	1

Matches

Match	White			Blue	Result	Time	Code
1	DURAND Vincent	1	2	GORBACHUK Lucca	0 - 10	0:00	IPO

Results

Pos	Name
1	GORBACHUK Lucca, QC/St-Jean-Bosco
2	DURAND Vincent, QC/cjvr

Competitors

#	Name	Grade	Club	1	2	3	Wins	Pts	Pos
1	FOREST Frederique	5k	QC/kiseki		10		1	10	2
2	LAROCHE Aurelie	5k+	QC/kime waza				0	0	3
3	NORMIL Lara	4k	QC/metropolitain	10	10		2	20	1

Matches

Match	White			Blue	Result	Time	Code
C-18	FOREST Frederique	1	2	LAROCHE Aurelie	10 - 0	0:38	IPO
C-27	FOREST Frederique	1	3	NORMIL Lara	0 - 10	2:07	WIP
C-34	LAROCHE Aurelie	2	3	NORMIL Lara	0 - 10	0:26	WIP

Results

Pos	Name
1	NORMIL Lara, QC/metropolitain
2	FOREST Frederique, QC/kiseki
3	LAROCHE Aurelie, QC/kime waza

Competitors

#	Name	Grade	Club	1	2	3	4	Wins	Pts	Pos
1	LA VERGNE Zoe	5k+	QC/cjvr					0	0	4
2	MISRAOUI Marwa Maria	5k	QC/st-leonard	10				1	10	3
3	ALFARRADJ Ambre	4k	QC/anjou	10	10			2	20	2
4	ASSELIN Rose	4k	QC/donini	10	10	1		3	21	1

Matches

Match	White			Blue	Result	Time	Code
A-17	LA VERGNE Zoe	1	2	MISRAOUI Marwa Maria	0 - 10	0:46	IPO
A-18	ALFARRADJ Ambre	3	4	ASSELIN Rose	0 - 1	3:00	YUS
A-23	LA VERGNE Zoe	1	3	ALFARRADJ Ambre	0 - 10	1:05	WIP
A-24	MISRAOUI Marwa Maria	2	4	ASSELIN Rose	0 - 10	2:46	WIP
A-31	LA VERGNE Zoe	1	4	ASSELIN Rose	0 - 10	0:37	IPO
A-32	MISRAOUI Marwa Maria	2	3	ALFARRADJ Ambre	0 - 10	1:25	WIP

Results

Pos	Name
1	ASSELIN Rose , QC/donini
2	ALFARRADJ Ambre, QC/anjou
3	MISRAOUI Marwa Maria, QC/st-leonard
4	LA VERGNE Zoe, QC/cjvr

Competitors

#	Name	Grade	Club	1	2	3	Wins	Pts	Pos
1	TURMEL Marie-Lune	3k	QC/jukaido				0	0	
2	BONIN Ariane	3k	QC/boucherville				0	0	
3	TOSHKOV Catherine	3k	QC/boucherville	10	10		2	20	1

Matches

Match	White			Blue	Result	Time	Code
A-55	TURMEL Marie-Lune	1	2	BONIN Ariane	0 - 0		KIK
A-60	TURMEL Marie-Lune	1	3	TOSHKOV Catherine	0 - 10	0:00	IPO
A-64	BONIN Ariane	2	3	TOSHKOV Catherine	0 - 10	1:01	WIP

Results

Pos	Name
1	TOSHKOV Catherine, QC/boucherville
2	
3	

Competitors A

#	Name	Grade	Club	1	2	3	4	Wins	Pts	Pos
1	THIBAUT Trinity	5k+	QC/Blainville					0	0	4
2	MATHIEU Camélia	5k	QC/JSK Laterrière	10		10	10	3	30	1
3	WELLENS Cleophee	4k	QC/jukaido	10				1	10	3
4	FREITAS-BOURASSA Juliette	4k+	QC/Kiseki	10		10		2	20	2

Matches A

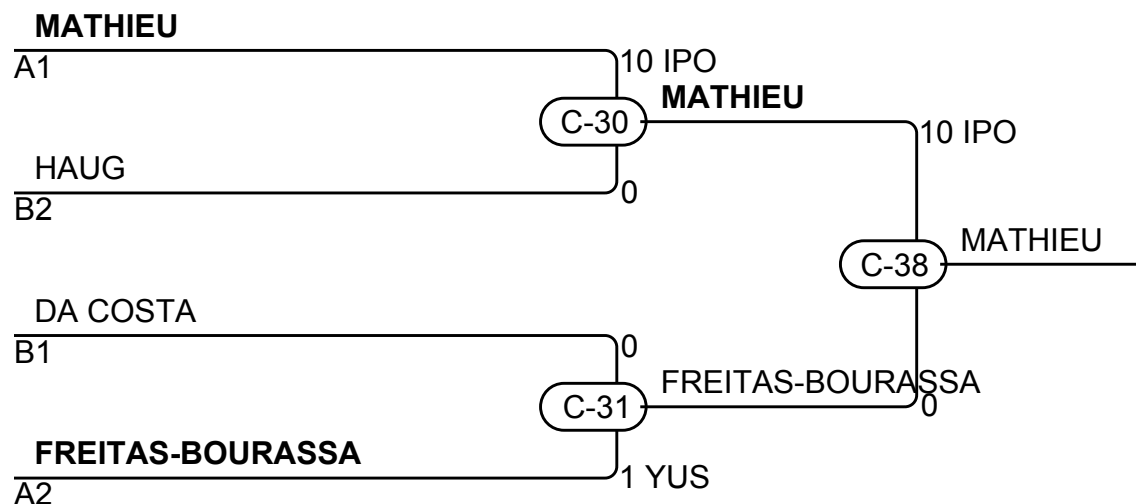
Match	White	Blue	Result	Time	Code
C-4	THIBAUT Trinity 1 2	MATHIEU Camélia	0 - 10	0:56	IPO
C-5	WELLENS Cleophee 3 4	FREITAS-BOURASSA Juliette	0 - 10	0:35	IPO
C-11	THIBAUT Trinity 1 3	WELLENS Cleophee	0 - 10	1:19	IPO
C-12	MATHIEU Camélia 2 4	FREITAS-BOURASSA Juliette	10 - 0	0:51	IPO
C-22	THIBAUT Trinity 1 4	FREITAS-BOURASSA Juliette	0 - 10	0:27	WIP
C-23	MATHIEU Camélia 2 3	WELLENS Cleophee	10 - 0	0:47	WIP

Competitors B

#	Name	Grade	Club	5	6	7	Wins	Pts	Pos
5	DA COSTA Megumi	4k	QC/jukaido		10	5	2	15	1
6	HAUG Malika	5k+	QC/donini			1	1	1	2
7	HALLA Lina	5k	QC/st-leonard				0	0	3

Matches B

Match	White	Blue	Result	Time	Code
C-6	DA COSTA Megumi 5 6	HAUG Malika	10 - 0	0:28	WIP
C-13	DA COSTA Megumi 5 7	HALLA Lina	5 - 0	3:00	YUK
C-24	HAUG Malika 6 7	HALLA Lina	1 - 0	3:00	YUS



Results

Pos	Name
1	MATHIEU Camélia, QC/JSK Laterrière
2	FREITAS-BOURASSA Juliette, QC/Kiseki
3	HAUG Malika, QC/donini
3	DA COSTA Megumi, QC/jukaido

Esport 2016 U14 10 décembre 2016 Deux-Montagnes U14F -44JO

Competitors: 5

Competitors

#	Name	Grade	Club	1	2	3	4	5	Wins	Pts	Pos
1	BELPAIRE Juliette	4k	QC/Judo-Monde								
2	JOBIN Léa	4k	QC/JSK Laterrière	10		10	10	10	4	40	
3	GHAZAL Anna-Christina	4k	QC/Judo-monde								
4	CAMPOS-MENDANHA Gabriela	5k	QC/boucherville	10		10		10	3	30	
5	GOBEIL Maude	5k+	QC/JSK Laterrière	10		10			2	20	

Matches

Match	White	Blue	Result	Time	Code
A-7	CAMPOS-MENDANHA Gabriela	4 5 GOBEIL Maude	10 - 0	1:26	IPO
A-8	BELPAIRE Juliette	1 2 JOBIN Léa	0 - 10	0:39	IPO
A-13	GHAZAL Anna-Christina	3 4 CAMPOS-MENDANHA Gabriela	0 - 10	0:42	WIP
A-14	BELPAIRE Juliette	1 5 GOBEIL Maude	0 - 10	3:00	IPO
A-19	JOBIN Léa	2 3 GHAZAL Anna-Christina	10 - 0	0:17	IPO
A-20	BELPAIRE Juliette	1 4 CAMPOS-MENDANHA Gabriela	0 - 10	0:14	IPO
A-25	GHAZAL Anna-Christina	3 5 GOBEIL Maude	0 - 10	0:01	FUS
A-26	JOBIN Léa	2 4 CAMPOS-MENDANHA Gabriela	10 - 0	1:36	IPO
A-35	BELPAIRE Juliette	1 3 GHAZAL Anna-Christina	0 - 0		FUS
A-36	JOBIN Léa	2 5 GOBEIL Maude	10 - 0	0:39	IPO

Results

Pos	Name
1	JOBIN Léa, QC/JSK Laterrière
2	CAMPOS-MENDANHA Gabriela, QC/boucherville
3	GOBEIL Maude, QC/JSK Laterrière
4	
5	

Competitors

#	Name	Grade	Club	1	2	1	2	1	2	Wins	Pts	Pos
1	MANAILA Rebeca	3k	QC/Shidokan		10		10			2	20	1
2	LACOSTE Elya	3k+	QC/olympique							0	0	2

Matches

Match	White			Blue	Result	Time	Code
D-46	MANAILA Rebeca	1	2	LACOSTE Elya	10 - 0	0:29	WIP
D-54	MANAILA Rebeca	1	2	LACOSTE Elya	10 - 0	2:12	WIP
D-60	MANAILA Rebeca	1	2	LACOSTE Elya			

Results

Pos	Name
1	MANAILA Rebeca, QC/Shidokan
2	LACOSTE Elya, QC/olympique

Competitors

#	Name	Grade	Club	1	2	3	4	Wins	Pts	Pos
1	CALLARI Isabelle	5k	QC/anjou					0	0	4
2	GILL Loane	5k	QC/metropolitain	10				1	10	3
3	MORIN Frederique	5k+	QC/kime waza	5	10			2	15	2
4	ROBERTSON Loika	5k	QC/St-Jean-Bosco	10	10	10		3	30	1

Matches

Match	White		Blue		Result	Time	Code
C-16	CALLARI Isabelle	1	2	GILL Loane	0 - 10	0:20	IPO
C-17	MORIN Frederique	3	4	ROBERTSON Loika	0 - 10	1:11	IPO
C-25	CALLARI Isabelle	1	3	MORIN Frederique	0 - 5	3:00	YUK
C-26	GILL Loane	2	4	ROBERTSON Loika	0 - 10	1:16	WIP
C-32	CALLARI Isabelle	1	4	ROBERTSON Loika	0 - 10	1:31	WIP
C-33	GILL Loane	2	3	MORIN Frederique	0 - 10	2:04	IPO

Results

Pos	Name
1	ROBERTSON Loika, QC/St-Jean-Bosco
2	MORIN Frederique, QC/kime waza
3	GILL Loane, QC/metropolitain
4	CALLARI Isabelle, QC/anjou

Competitors

#	Name	Grade	Club	1	2	1	2	1	2	Wins	Pts	Pos
1	CHARNEAU Adèle	3k	QC/St-Paul L'Ermite							0	0	2
2	HORAK Leonarda	3k+	QC/Shidokan	10		10				2	20	1

Matches

Match	White			Blue	Result	Time	Code
D-45	CHARNEAU Adèle	1	2	HORAK Leonarda	0 - 10	1:46	WIP
D-53	CHARNEAU Adèle	1	2	HORAK Leonarda	0 - 10	1:38	IPO
D-59	CHARNEAU Adèle	1	2	HORAK Leonarda			

Results

Pos	Name
1	HORAK Leonarda, QC/Shidokan
2	CHARNEAU Adèle, QC/St-Paul L'Ermite

Competitors

#	Name	Grade	Club	1	2	1	2	1	2	Wins	Pts	Pos
1	DESROCHES Rose Helene	5k	QC/kime waza							0	0	2
2	MINIER Alicia-rose	4k	QC/anjou	10		10				2	20	1

Matches

Match	White	Blue	Result	Time	Code
D-12	DESROCHES Rose Helene 1 2	MINIER Alicia-rose	0 - 10	0:45	IPO
D-18	DESROCHES Rose Helene 1 2	MINIER Alicia-rose	0 - 10	0:37	IPO
D-25	DESROCHES Rose Helene 1 2	MINIER Alicia-rose			

Results

Pos	Name
1	MINIER Alicia-rose, QC/anjou
2	DESROCHES Rose Helene, QC/kime waza

Competitors

#	Name	Grade	Club	1	2	1	2	1	2	Wins	Pts	Pos
1	ADOUL Lydia Dahbia	3k	QC/anjou				5			1	5	2
2	CAMIRE Eloise	3k	QC/jukaido	1				7		2	8	1

Matches

Match	White			Blue	Result	Time	Code
D-42	ADOUL Lydia Dahbia	1	2	CAMIRE Eloise	0 - 1	3:00	YUS
D-48	ADOUL Lydia Dahbia	1	2	CAMIRE Eloise	5 - 0	3:00	YUK
D-56	ADOUL Lydia Dahbia	1	2	CAMIRE Eloise	0 - 7	3:00	WAZ

Results

Pos	Name
1	CAMIRE Eloise, QC/jukaido
2	ADOUL Lydia Dahbia, QC/anjou

Competitors

#	Name	Grade	Club	1	2	3	Wins	Pts	Pos
1	BELAL Rayan	4k+	QC/olympique			10	1	10	2
2	TRIAL Alexandre	4k	QC/St-Jean-Bosco	10		10	2	20	1
3	EL MOUTAWALKI LOUKILI Mohamed	4k+	QC/Judo-Monde				0	0	3

Matches

Match	White			Blue	Result	Time	Code
D-8	BELAL Rayan	1	2	TRIAL Alexandre	0 - 10	2:31	IPO
D-14	BELAL Rayan	1	3	EL MOUTAWALKI LOUKILI Mohamed	10 - 0	0:59	IPO
D-21	TRIAL Alexandre	2	3	EL MOUTAWALKI LOUKILI Mohamed	10 - 0	0:40	IPO

Results

Pos	Name
1	TRIAL Alexandre, QC/St-Jean-Bosco
2	BELAL Rayan, QC/olympique
3	EL MOUTAWALKI LOUKILI Mohamed, QC/Judo-Monde

Competitors

#	Name	Grade	Club	1	2	1	2	1	2	Wins	Pts	Pos
1	SAIGH Nassim	3k	QC/anjou		10		10			2	20	1
2	SIAMMOUR Adam	3k	QC/anjou							0	0	2

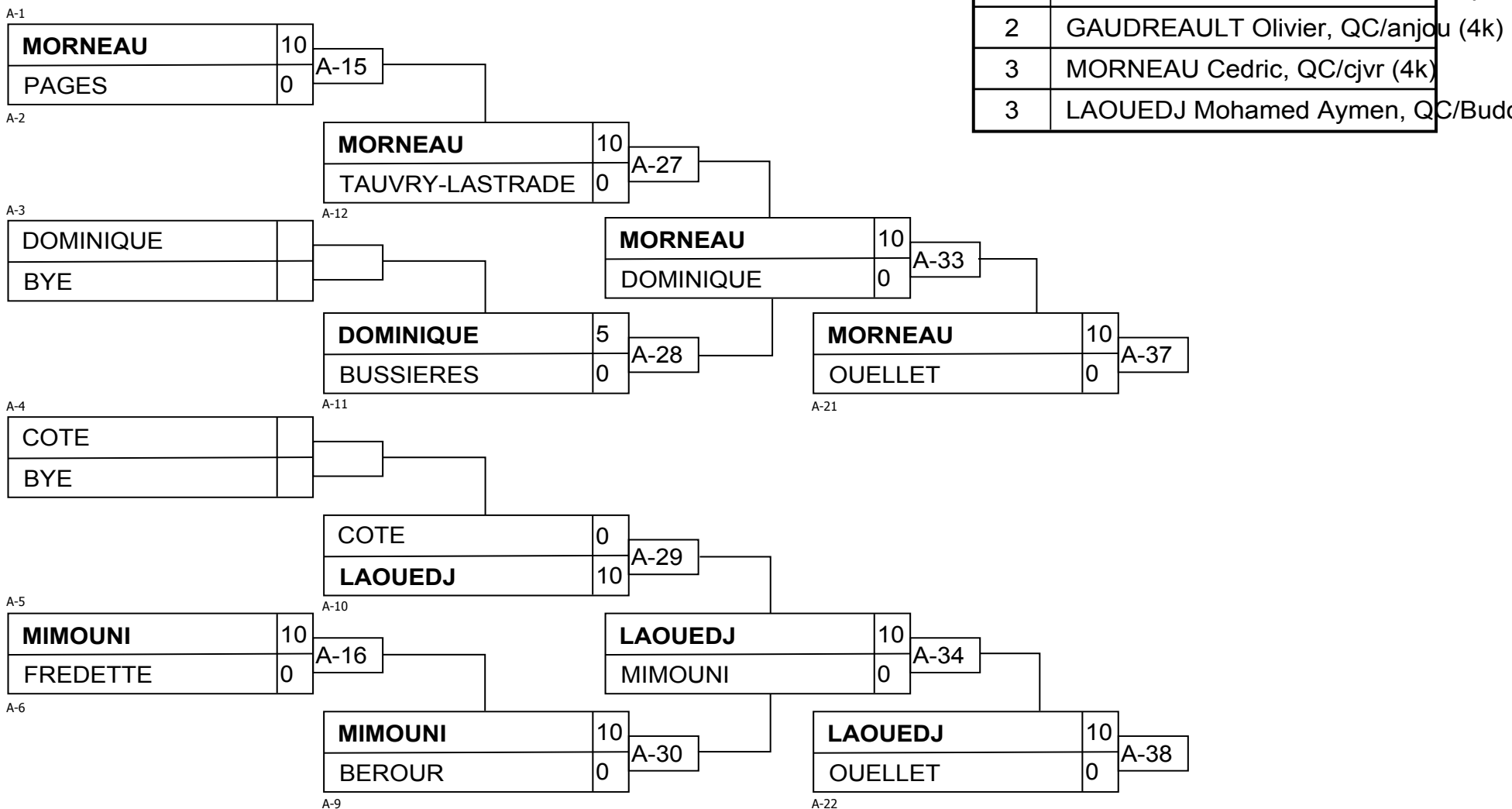
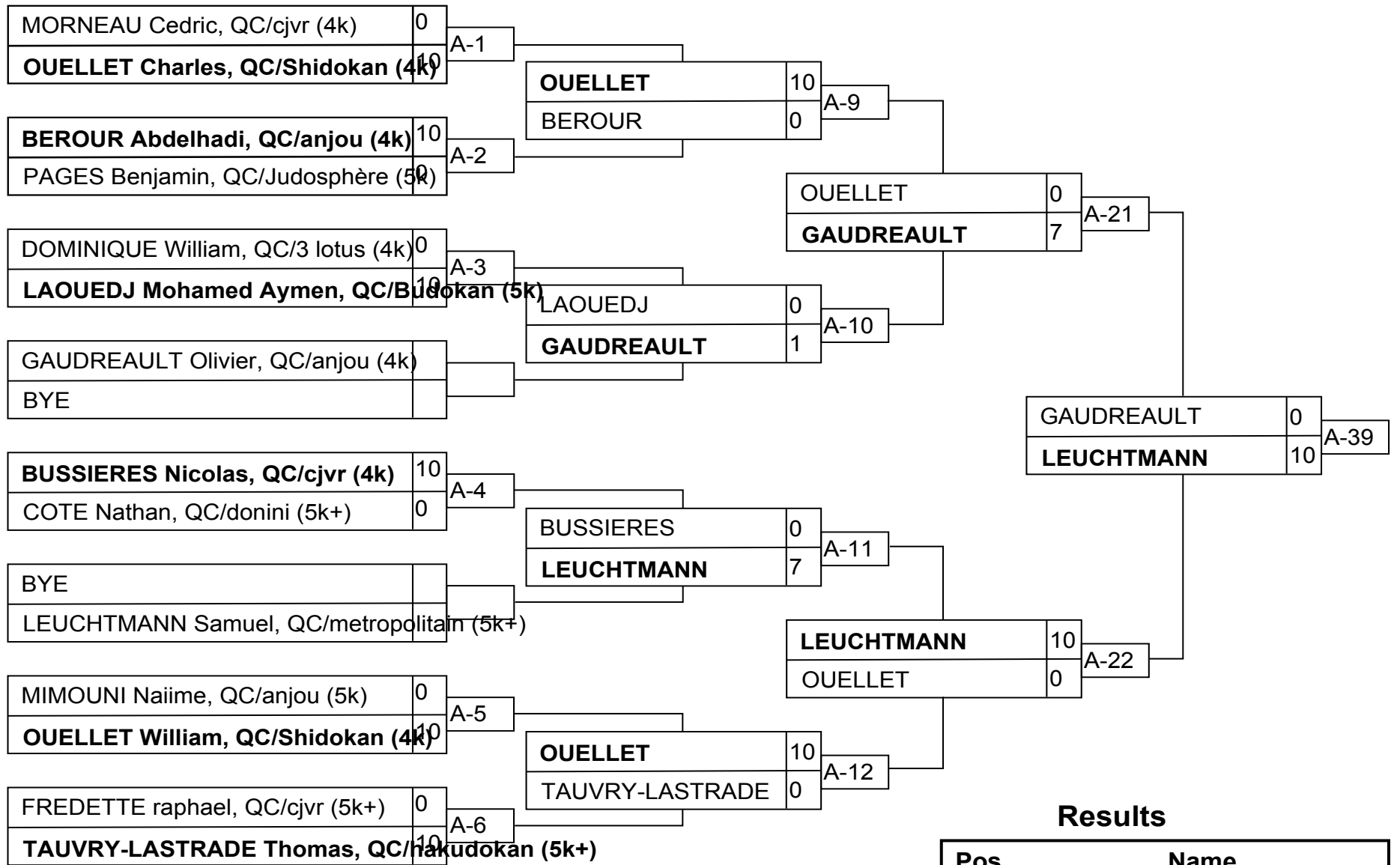
Matches

Match	White			Blue	Result	Time	Code
D-47	SAIGH Nassim	1	2	SIAMMOUR Adam	10 - 0	0:30	WIP
D-55	SAIGH Nassim	1	2	SIAMMOUR Adam	10 - 0	1:06	IPO
D-61	SAIGH Nassim	1	2	SIAMMOUR Adam			

Results

Pos	Name
1	SAIGH Nassim, QC/anjou
2	SIAMMOUR Adam, QC/anjou

U14M -34JO



Competitors

#	Name	Grade	Club	1	2	3	4	5	Wins	Pts	Pos
1	BERUBE Felix	3k	QC/Perrot-Shima						0	0	5
2	PASSELANDE Jerome	3k	QC/varenes	1			1		2	2	3
3	BOUSBIAT Sofiane	3k	QC/boucherville	10	10		10		3	30	2
4	TETLEY Deven	3k	QC/Perrot-Shima	1					1	1	4
5	HRISTOV Daniel	3k	QC/Perrot-Shima	10	10	1	10		4	31	1

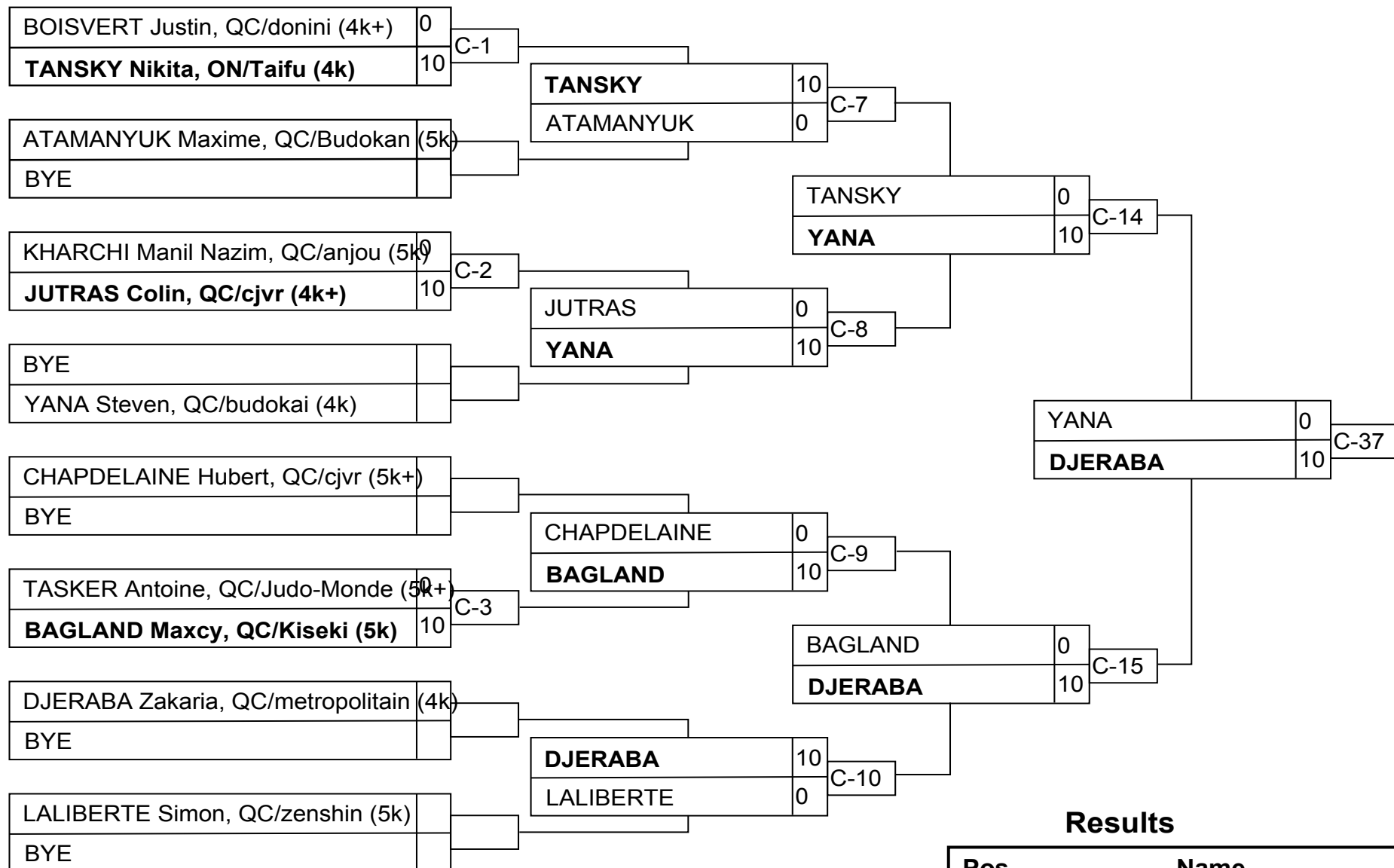
Matches

Match	White			Blue	Result	Time	Code
A-40	TETLEY Deven	4	5	HRISTOV Daniel	0 - 10	0:40	WIP
A-41	BERUBE Felix	1	2	PASSELANDE Jerome	0 - 1	3:00	YUS
A-45	BOUSBIAT Sofiane	3	4	TETLEY Deven	10 - 0	0:49	IPO
A-46	BERUBE Felix	1	5	HRISTOV Daniel	0 - 10	0:34	IPO
A-50	PASSELANDE Jerome	2	3	BOUSBIAT Sofiane	0 - 10	2:01	IPO
A-51	BERUBE Felix	1	4	TETLEY Deven	0 - 1	3:00	YUS
A-56	BOUSBIAT Sofiane	3	5	HRISTOV Daniel	0 - 1	3:00	YUS
A-57	PASSELANDE Jerome	2	4	TETLEY Deven	1 - 0	3:00	YUS
A-61	BERUBE Felix	1	3	BOUSBIAT Sofiane	0 - 10	1:34	WIP
A-62	PASSELANDE Jerome	2	5	HRISTOV Daniel	0 - 10	1:51	IPO

Results

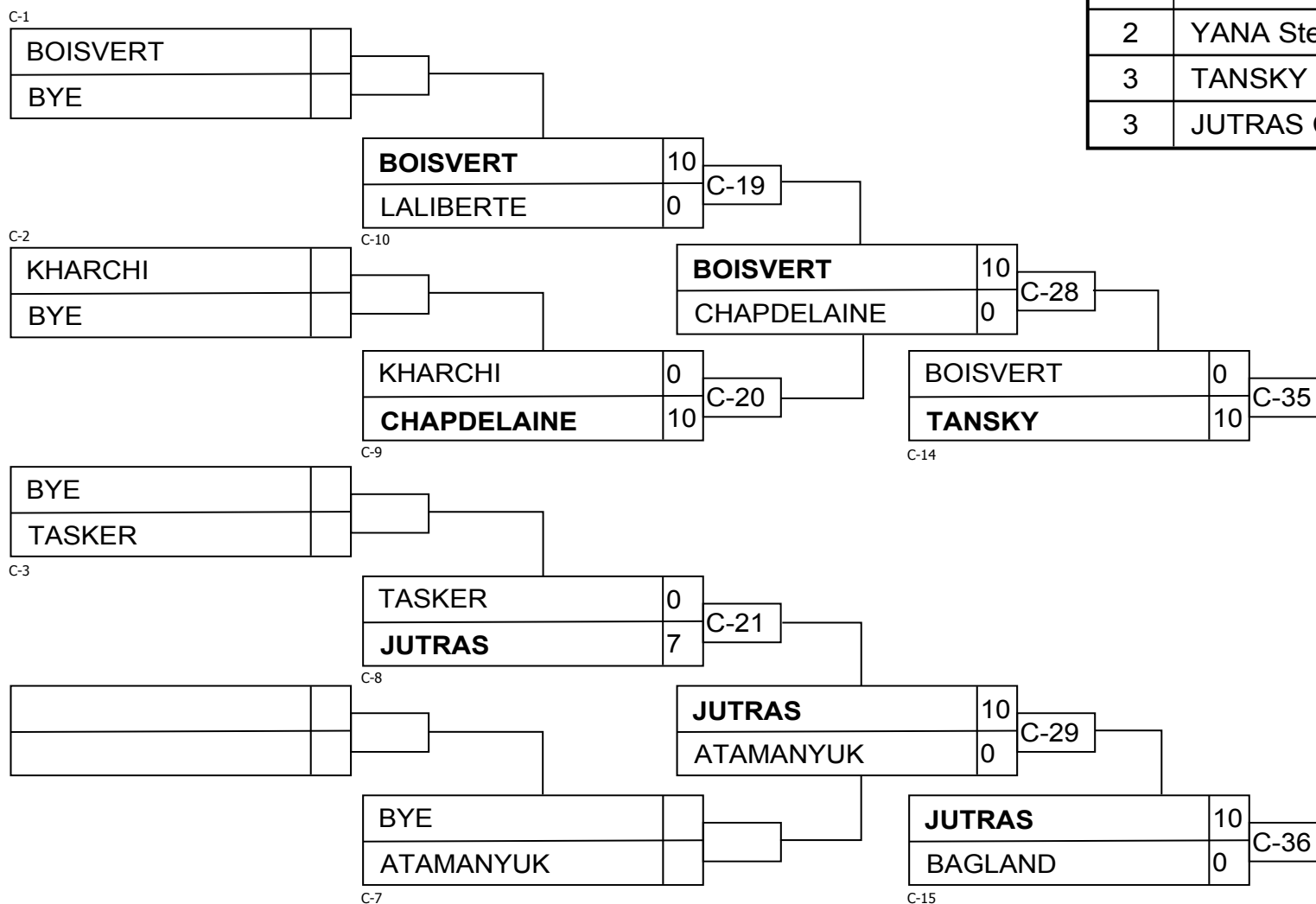
Pos	Name
1	HRISTOV Daniel, QC/Perrot-Shima
2	BOUSBIAT Sofiane, QC/boucherville
3	PASSELANDE Jerome, QC/varenes
4	TETLEY Deven, QC/Perrot-Shima
5	BERUBE Felix, QC/Perrot-Shima

U14M -38JO

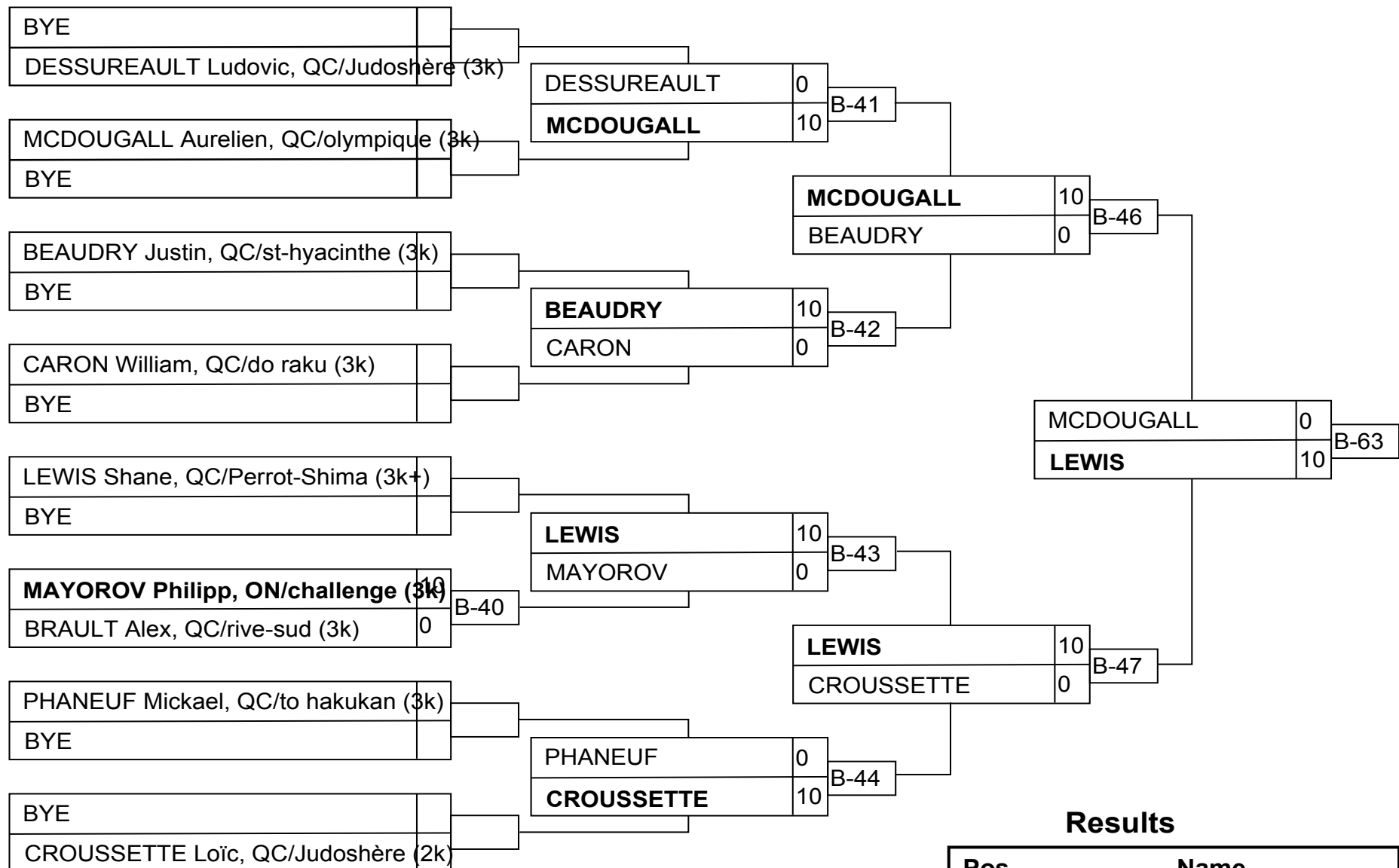


Results

Pos	Name
1	DJERABA Zakaria, QC/metropolitain (4k)
2	YANA Steven, QC/budokai (4k)
3	TANSKY Nikita, ON/Taifu (4k)
3	JUTRAS Colin, QC/cjvr (4k+)

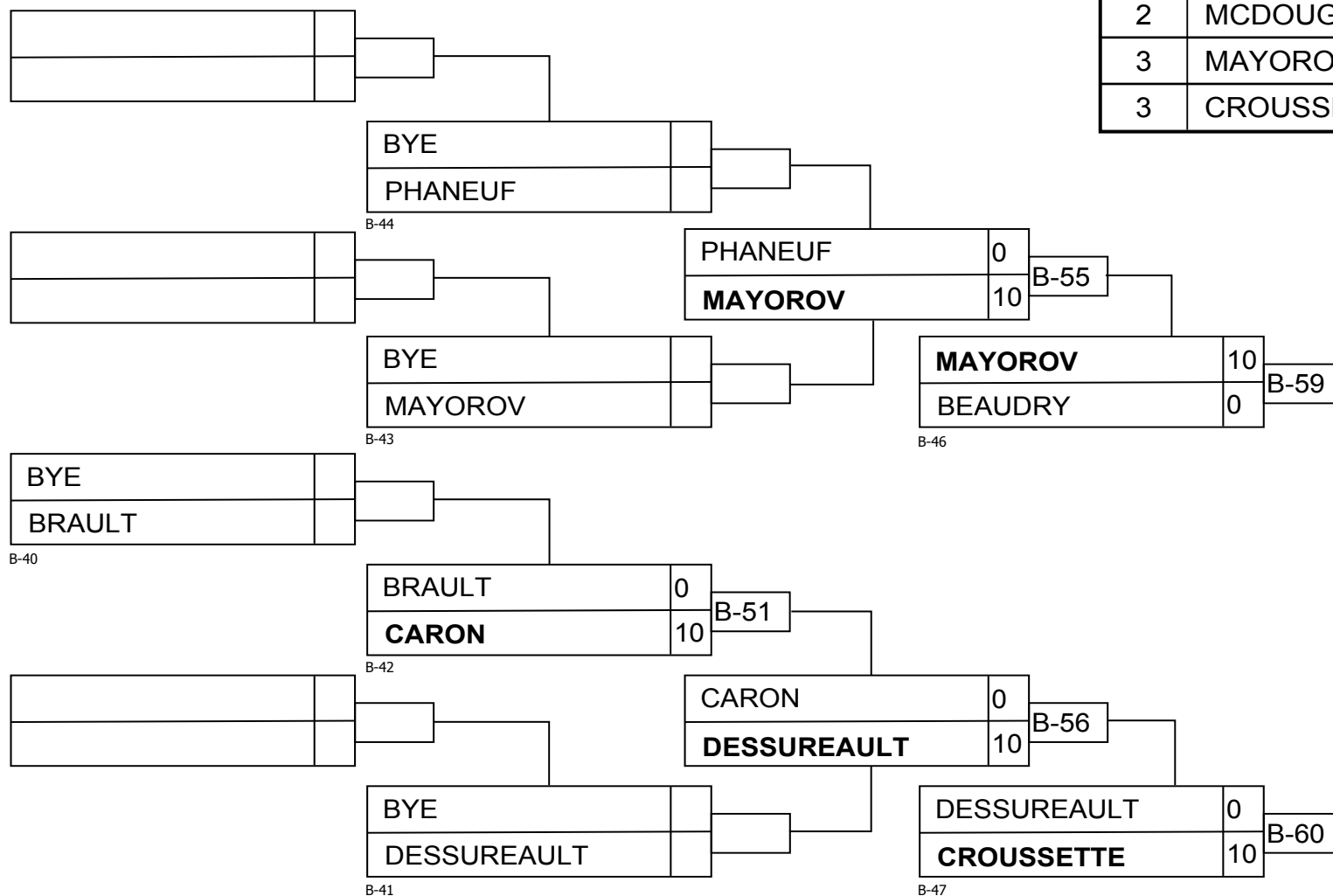


U14M -38VB

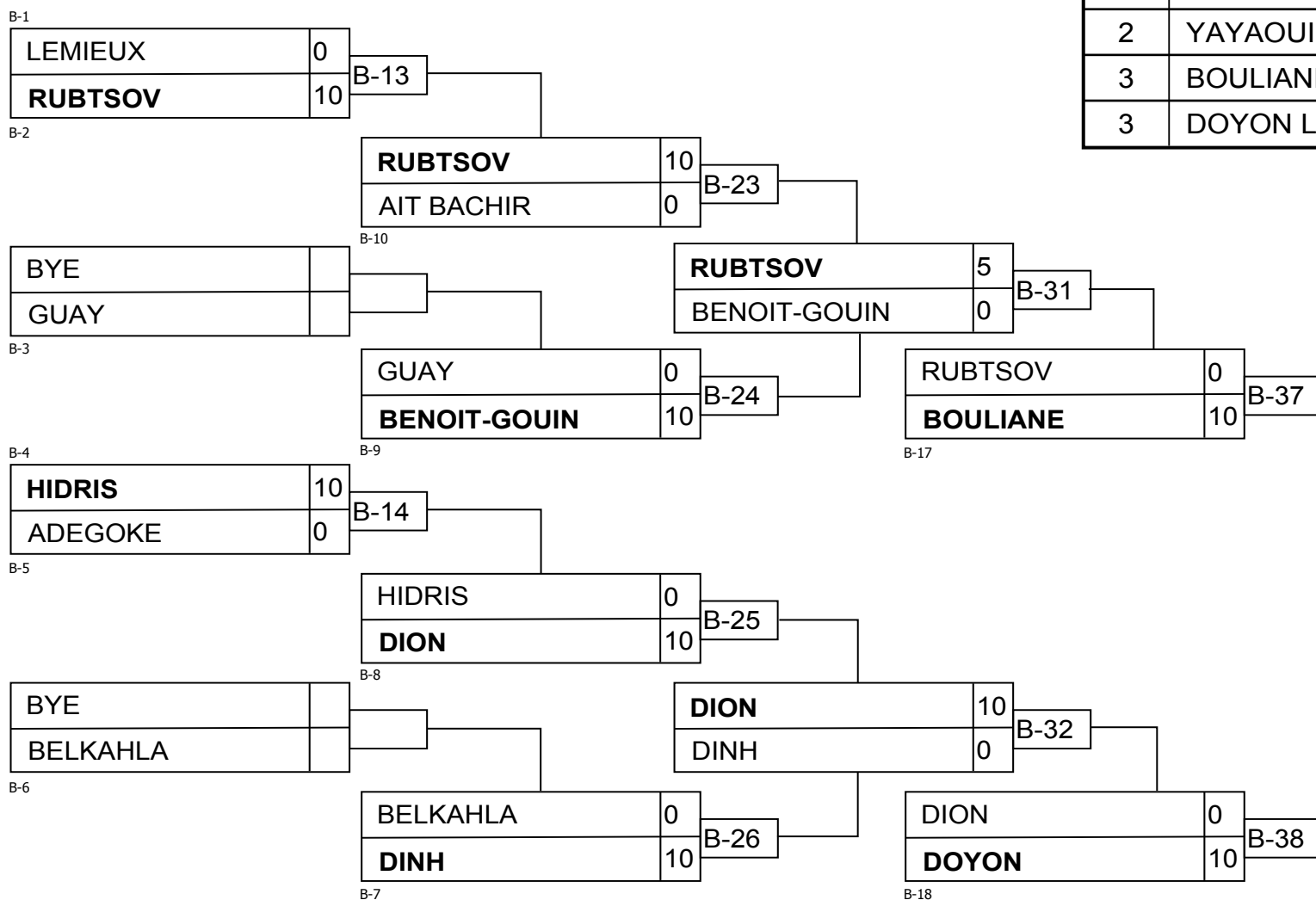
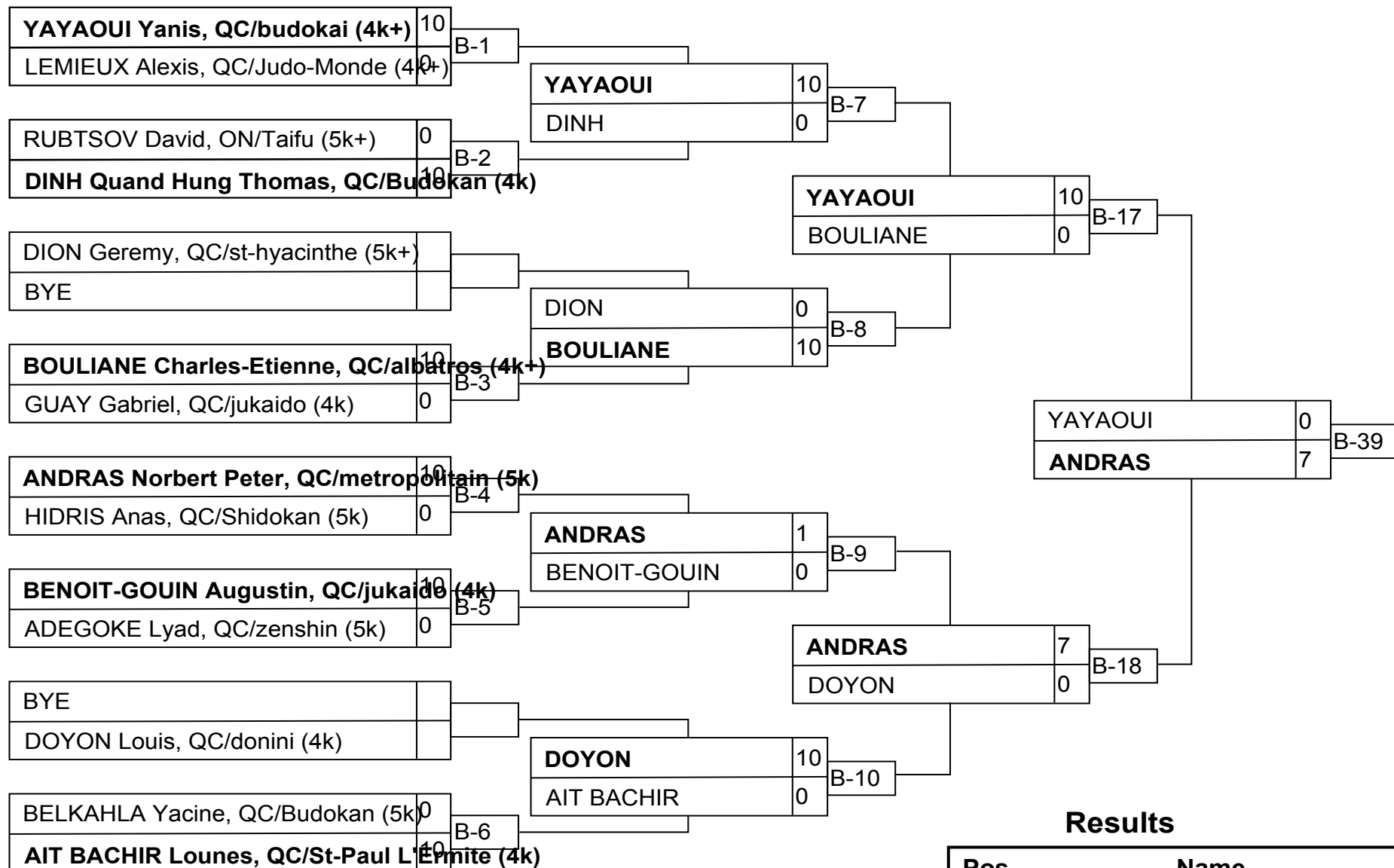


Results

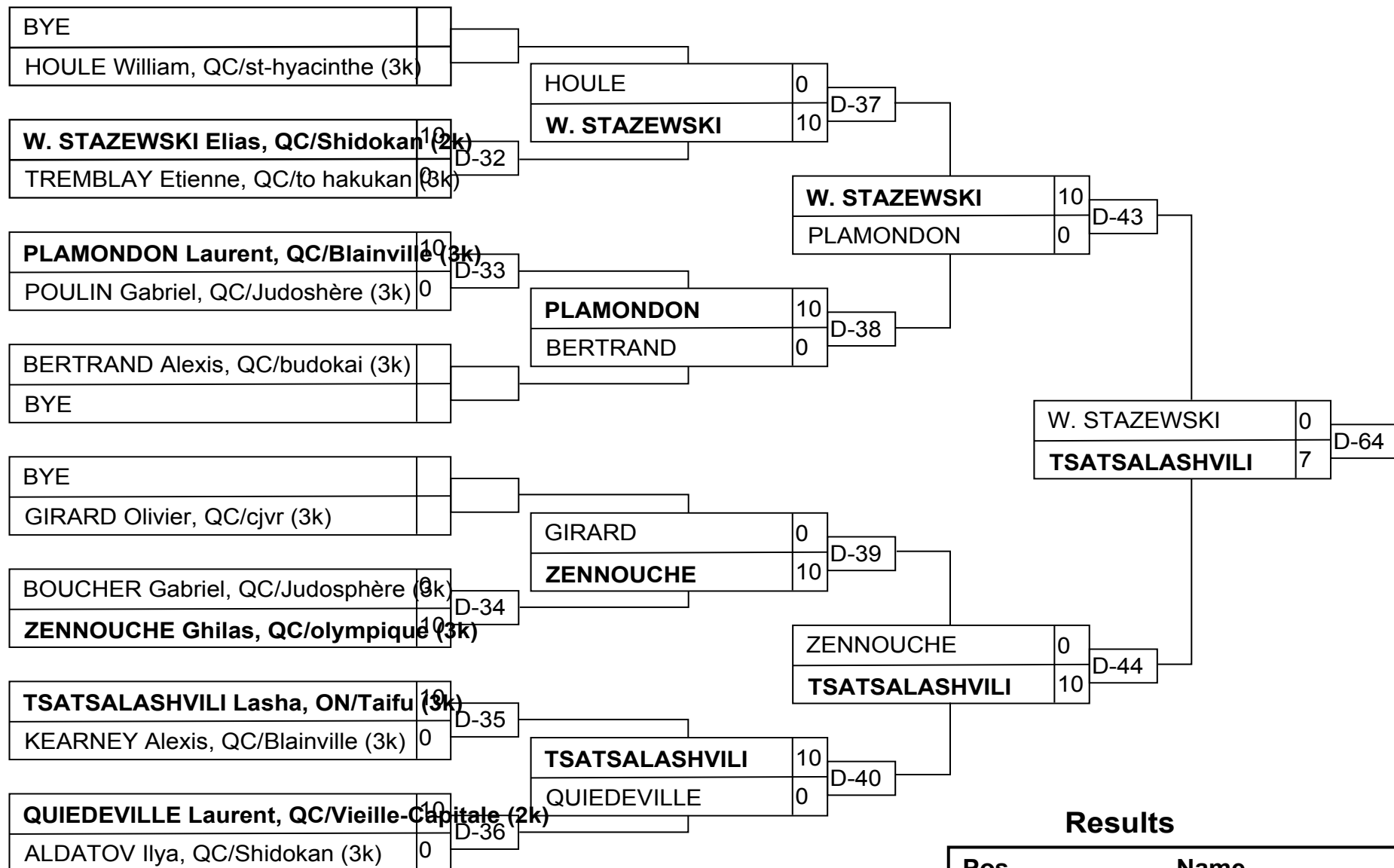
Pos	Name
1	LEWIS Shane, QC/Perrot-Shima (3k+)
2	MCDUGALL Aurelien, QC/olympique
3	MAYOROV Philipp, ON/challenge (3k)
3	CROUSSETTE Loïc, QC/Judoshère (2k)



U14M -42JO

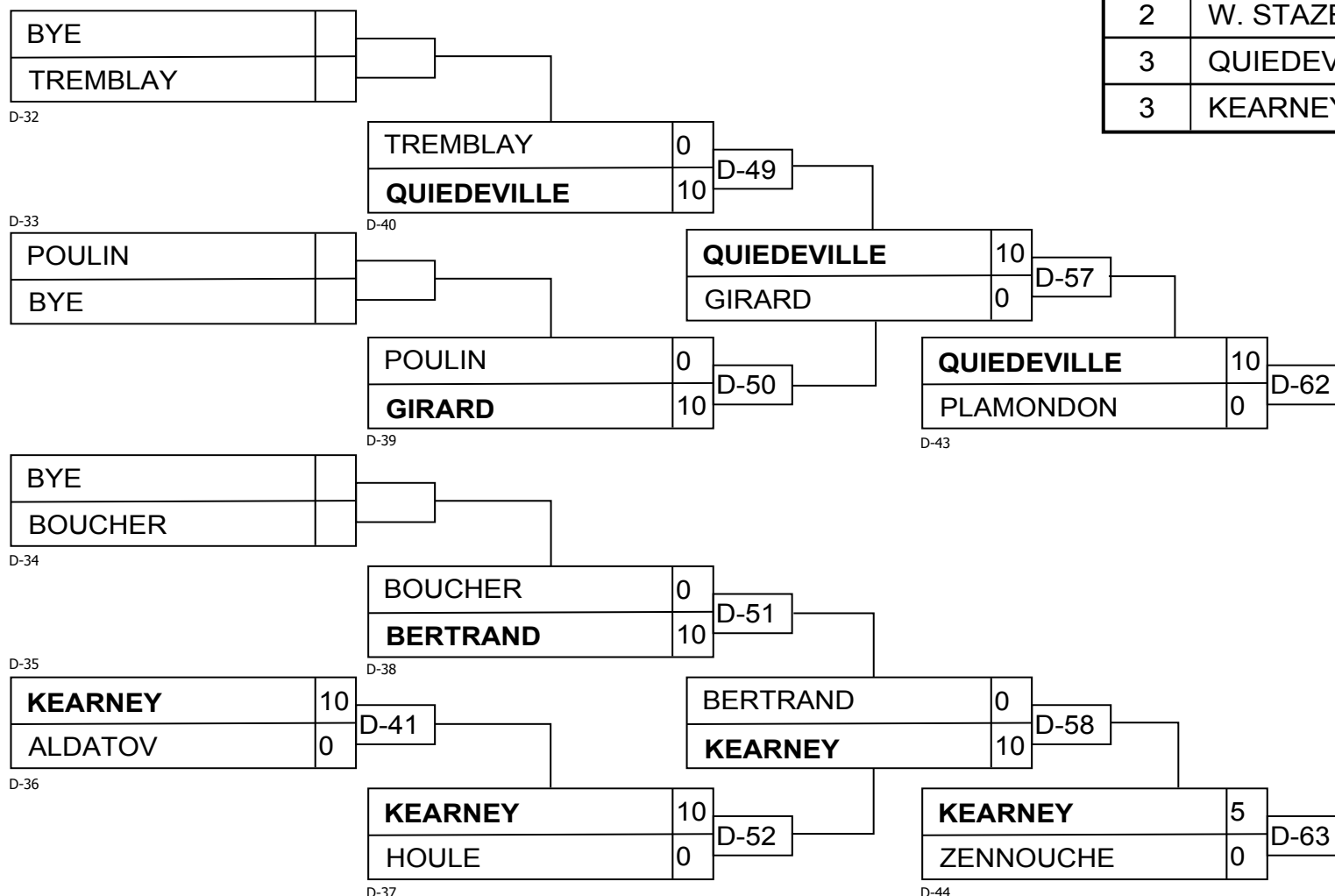


U14M -42VB



Results

Pos	Name
1	TSATSALASHVILI Lasha, ON/Taifu (3k)
2	W. STAZEWSKI Elias, QC/Shidokan (2k)
3	QUIEDEVILLE Laurent, QC/Vieille-Capitale (2k)
3	KEARNEY Alexis, QC/Blainville (3k)



Competitors

#	Name	Grade	Club	1	2	3	4	Wins	Pts	Pos
1	MOORJANI-HOULE Noah	4k	QC/St-Jean-Bosco		10	7	10	3	27	1
2	PROULX Jerome	4k	QC/PaT					0	0	4
3	YANA Dave	4k	QC/budokai		10		10	2	20	2
4	CARTIER Maxime	5k	QC/zenshin		10			1	10	3

Matches

Match	White			Blue	Result	Time	Code
B-19	MOORJANI-HOULE Noah	1	2	PROULX Jerome	10 - 0	0:58	WIP
B-20	YANA Dave	3	4	CARTIER Maxime	10 - 0	1:27	IPO
B-27	MOORJANI-HOULE Noah	1	3	YANA Dave	7 - 0	3:00	WAZ
B-28	PROULX Jerome	2	4	CARTIER Maxime	0 - 10	0:15	IPO
B-33	MOORJANI-HOULE Noah	1	4	CARTIER Maxime	10 - 0	1:20	IPO
B-34	PROULX Jerome	2	3	YANA Dave	0 - 10	0:19	IPO

Results

Pos	Name
1	MOORJANI-HOULE Noah, QC/St-Jean-Bosco
2	YANA Dave, QC/budokai
3	CARTIER Maxime, QC/zenshin
4	PROULX Jerome, QC/PaT

Competitors A

#	Name	Grade	Club	1	2	3	4	Wins	Pts	Pos
1	GRENIER Jérémie	3k+	QC/JSK Laterrière		10		10	2	20	2
2	D'ARTERIO Tyler	3k+	QC/Perrot-Shima					0	0	4
3	LEGAULT Olivier	3k+	QC/olympique	10	10		10	3	30	1
4	XINKAS Johnathan	3k	ON/Taifu		10			1	10	3

Matches A

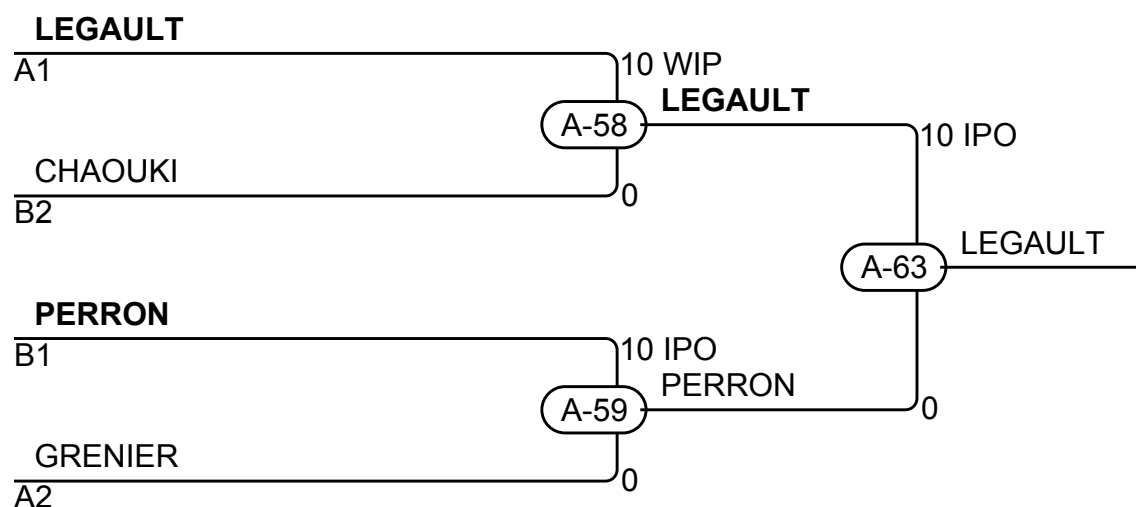
Match	White	Blue	Result	Time	Code
A-42	GRENIER Jérémie 1 2	D'ARTERIO Tyler	10 - 0	0:04	IPO
A-43	LEGAULT Olivier 3 4	XINKAS Johnathan	10 - 0	0:08	IPO
A-47	GRENIER Jérémie 1 3	LEGAULT Olivier	0 - 10	0:08	IPO
A-48	D'ARTERIO Tyler 2 4	XINKAS Johnathan	0 - 10	0:37	WIP
A-52	GRENIER Jérémie 1 4	XINKAS Johnathan	10 - 0	1:07	HAN
A-53	D'ARTERIO Tyler 2 3	LEGAULT Olivier	0 - 10	0:35	IPO

Competitors B

#	Name	Grade	Club	5	6	7	Wins	Pts	Pos
5	PROULX-OLSEN Skyler	3k+	QC/Perrot-Shima				0	0	3
6	CHAOUKI Mohamed	3k	QC/hakudokan	1			1	1	2
7	PERRON Mathias	3k	QC/zenshin	10	10		2	20	1

Matches B

Match	White	Blue	Result	Time	Code
A-44	PROULX-OLSEN Skyler 5 6	CHAOUKI Mohamed	0 - 1	3:00	YUS
A-49	PROULX-OLSEN Skyler 5 7	PERRON Mathias	0 - 10	0:20	IPO
A-54	CHAOUKI Mohamed 6 7	PERRON Mathias	0 - 10	0:36	IPO



Results

Pos	Name
1	LEGAULT Olivier, QC/olympique
2	PERRON Mathias, QC/zenshin
3	CHAOUKI Mohamed, QC/hakudokan
3	GRENIER Jérémie, QC/JSK Laterrière

Competitors A

#	Name	Grade	Club	1	2	3	Wins	Pts	Pos
1	MERAH Khelil	4k	QC/anjou				0	0	3
2	KETATA Salim	5k+	QC/St-Jean-Bosco	10			1	10	2
3	SHAHGALDI Maani	4k	QC/boucherville	10	10		2	20	1

Matches A

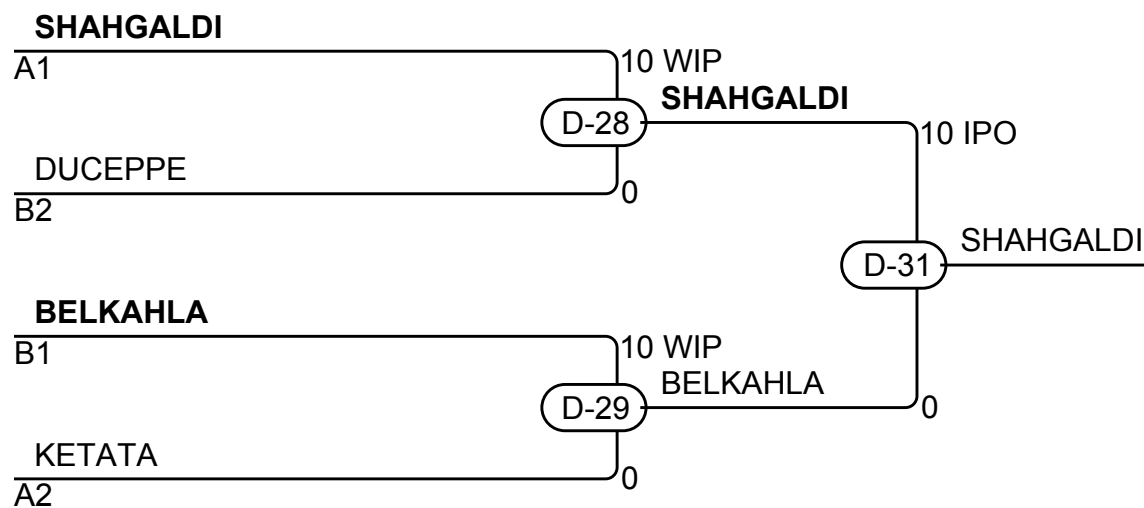
Match	White	Blue	Result	Time	Code
D-9	MERAH Khelil 1 2	KETATA Salim	0 - 10	0:01	FUS
D-15	MERAH Khelil 1 3	SHAHGALDI Maani	0 - 10	0:01	FUS
D-22	KETATA Salim 2 3	SHAHGALDI Maani	0 - 10	0:37	IPO

Competitors B

#	Name	Grade	Club	4	5	6	Wins	Pts	Pos
4	VIKTOROVSKY Dennis	4k	ON/Taifu				0	0	3
5	BELKAHLA Zakaria	5k	QC/Budokan	10		10	2	20	1
6	DUCEPPE Vincent	4k	QC/Judo Ben	10			1	10	2

Matches B

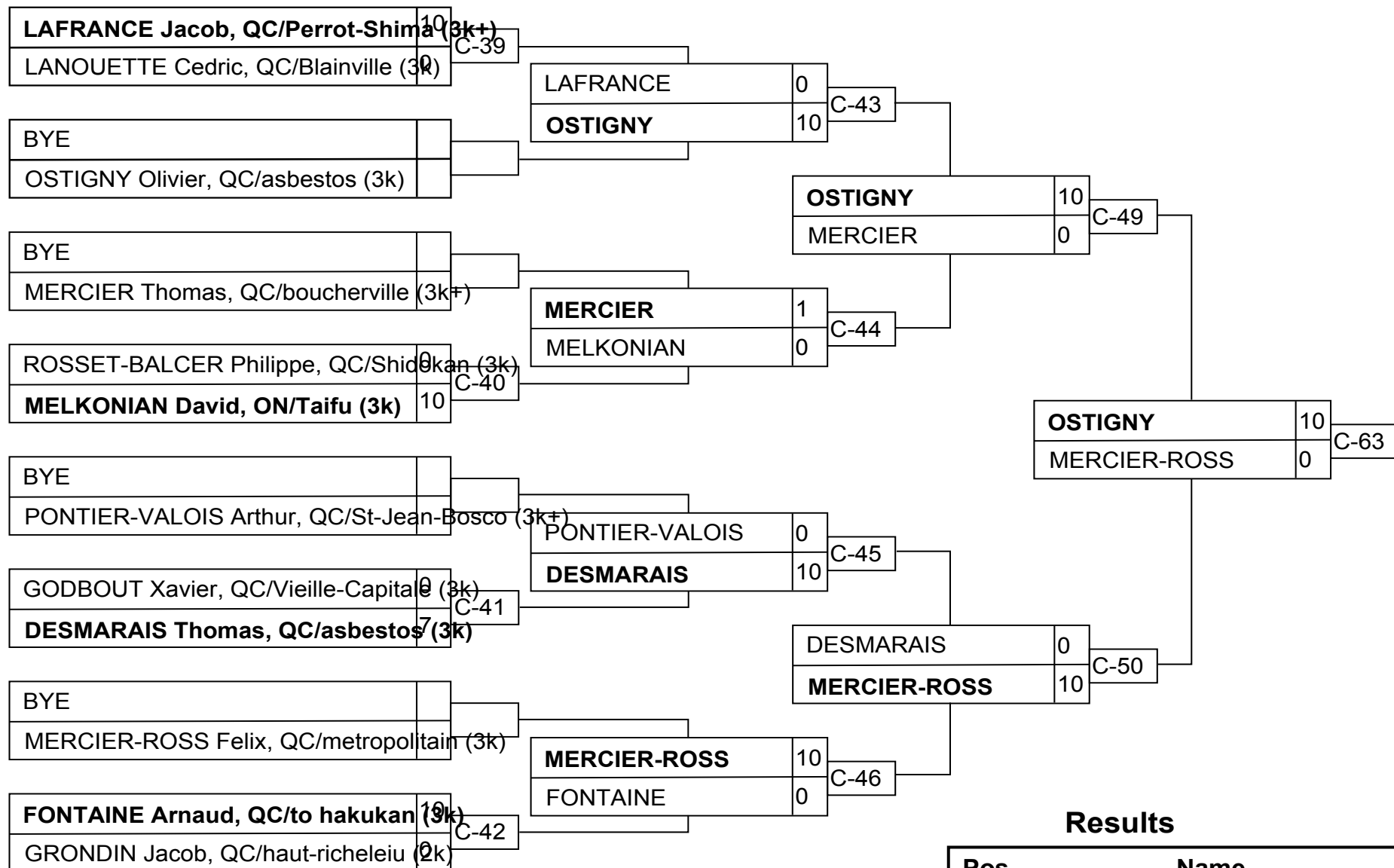
Match	White	Blue	Result	Time	Code
D-10	VIKTOROVSKY Dennis 4 5	BELKAHLA Zakaria	0 - 10	1:23	IPO
D-16	VIKTOROVSKY Dennis 4 6	DUCEPPE Vincent	0 - 10	0:44	WIP
D-23	BELKAHLA Zakaria 5 6	DUCEPPE Vincent	10 - 0	2:18	IPO



Results

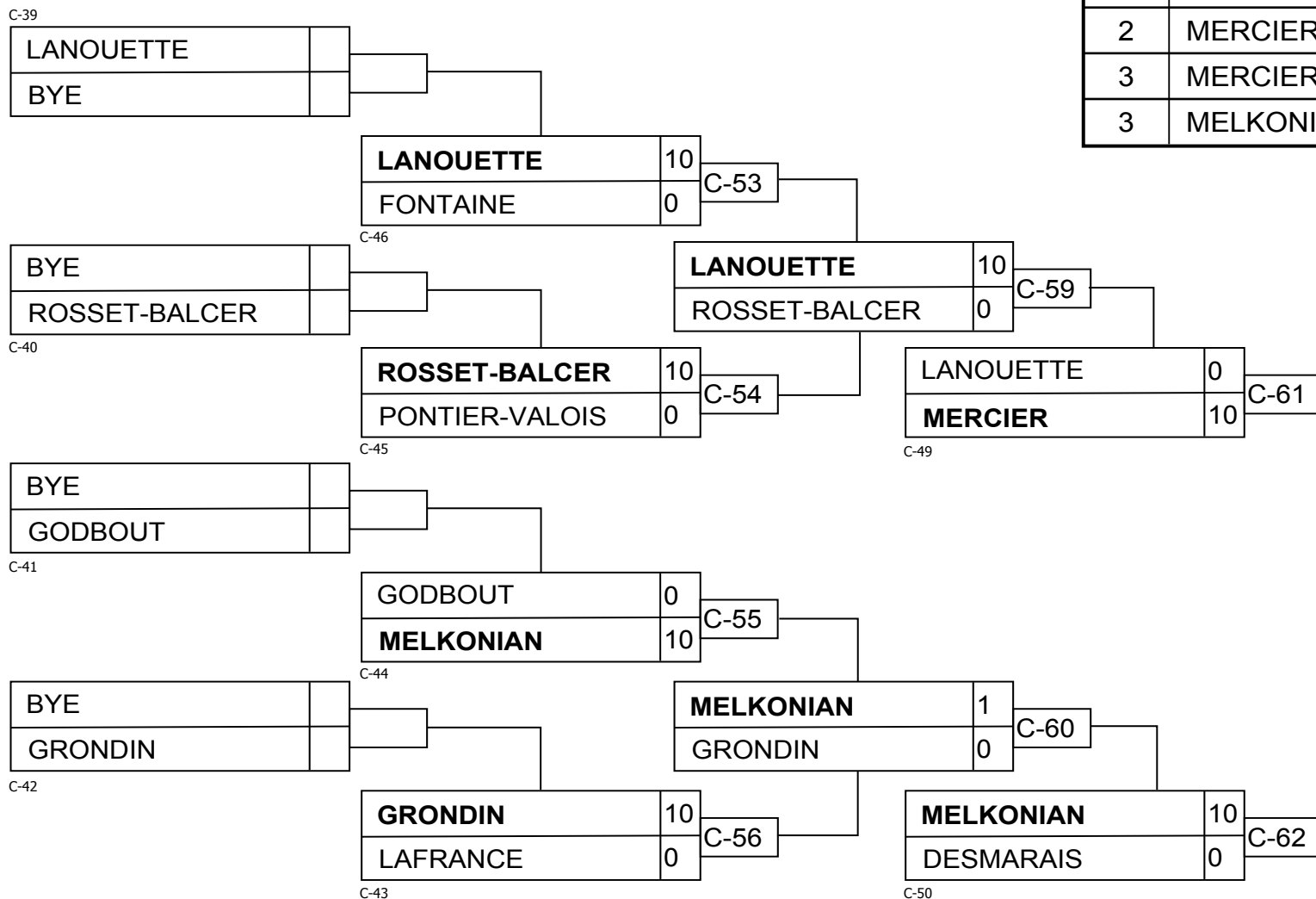
Pos	Name
1	SHAHGALDI Maani, QC/boucherville
2	BELKAHLA Zakaria, QC/Budokan
3	DUCEPPE Vincent, QC/Judo Ben
3	KETATA Salim, QC/St-Jean-Bosco

U14M -50VB

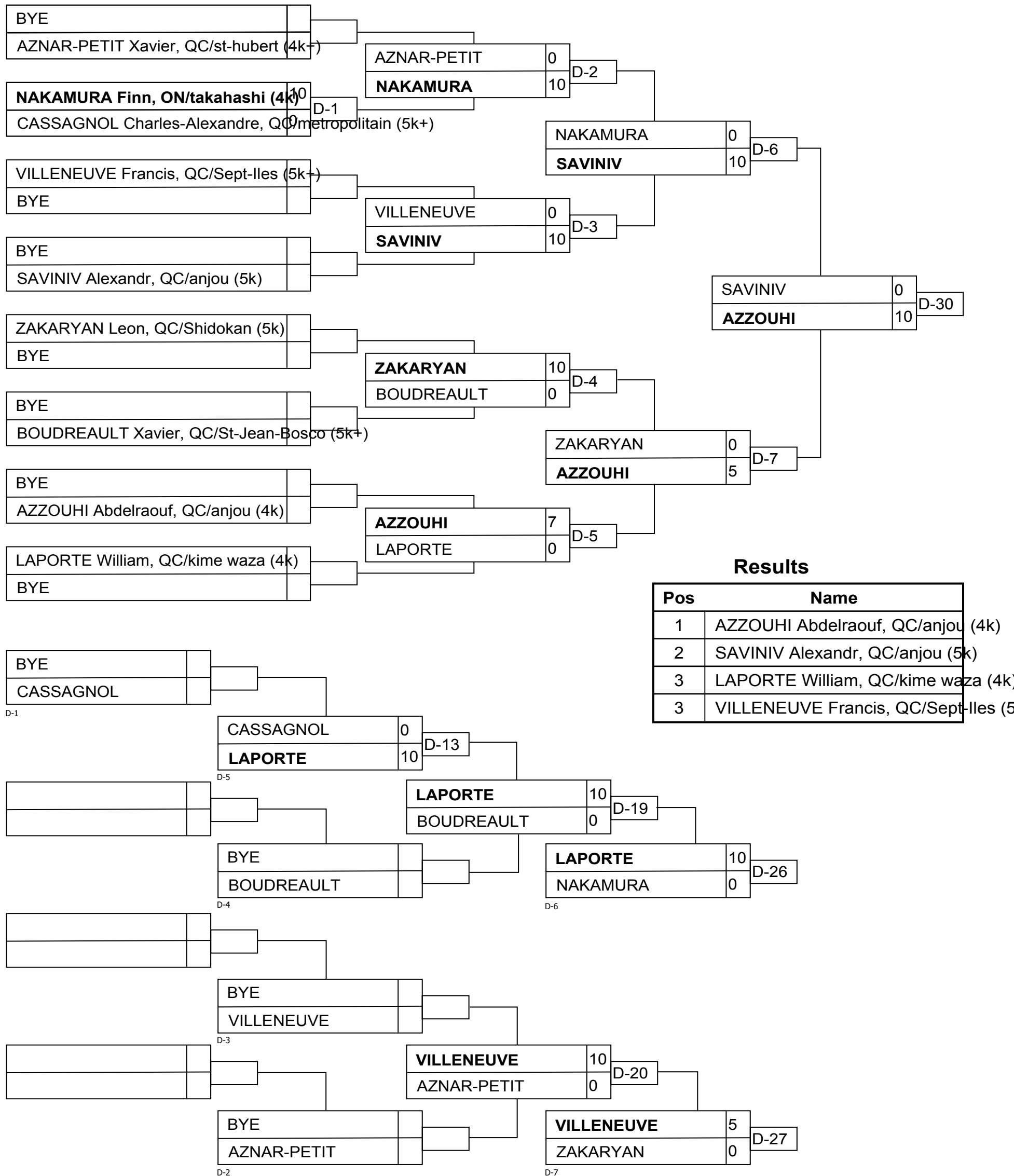


Results

Pos	Name
1	OSTIGNY Olivier, QC/asbestos (3k)
2	MERCIER-ROSS Felix, QC/metropolitain (3k)
3	MERCIER Thomas, QC/boucherville (3k)
3	MELKONIAN David, ON/Taifu (3k)



U14M -55JO



Competitors A

#	Name	Grade	Club	1	2	3	Wins	Pts	Pos
1	MO Jingtong	3k	QC/Shidokan				0	0	3
2	SEMENYUK Yuriy	3k	QC/metropolitain	10		10	2	20	1
3	GORBACHUK Lucca	3k	QC/St-Jean-Bosco	10			1	10	2

Matches A

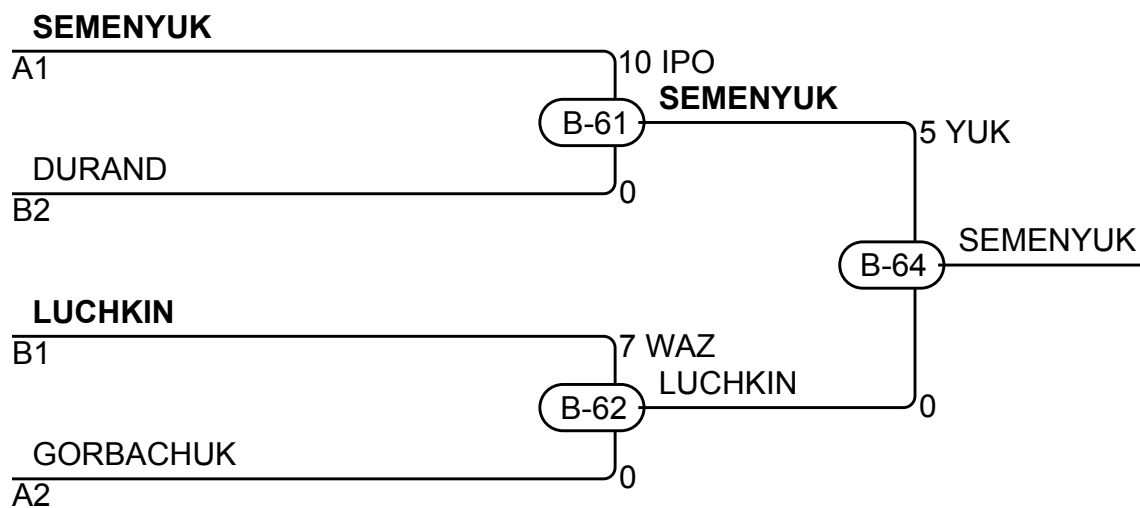
Match	White	Blue	Result	Time	Code
B-48	MO Jingtong	1 2 SEMENYUK Yuriy	0 - 10	0:25	IPO
B-52	MO Jingtong	1 3 GORBACHUK Lucca	0 - 10	0:40	IPO
B-57	SEMENYUK Yuriy	2 3 GORBACHUK Lucca	10 - 0	1:17	IPO

Competitors B

#	Name	Grade	Club	4	5	6	Wins	Pts	Pos
4	LEFEBVRE mathias	3k+	QC/Judo-Monde				0	0	3
5	LUCHKIN Nick	3k	ON/challenge	10		10	2	20	1
6	DURAND Vincent	3k	QC/cjvr	10			1	10	2

Matches B

Match	White	Blue	Result	Time	Code
B-49	LEFEBVRE mathias	4 5 LUCHKIN Nick	0 - 10	0:14	IPO
B-53	LEFEBVRE mathias	4 6 DURAND Vincent	0 - 10	0:01	FUS
B-58	LUCHKIN Nick	5 6 DURAND Vincent	10 - 0	0:53	WIP



Results

Pos	Name
1	SEMENYUK Yuriy, QC/metropolitain
2	LUCHKIN Nick, ON/challenge
3	DURAND Vincent, QC/cjvr
3	GORBACHUK Lucca, QC/St-Jean-Bosco

Competitors

#	Name	Grade	Club	1	2	1	2	1	2	Wins	Pts	Pos
1	BURTON Emeric	4k+	QC/st-hubert		10		10			2	20	1
2	LEFEBVRE Justin	5k+	QC/asbestos							0	0	2

Matches

Match	White	1	2	Blue	Result	Time	Code
D-11	BURTON Emeric	1	2	LEFEBVRE Justin	10 - 0	0:11	IPO
D-17	BURTON Emeric	1	2	LEFEBVRE Justin	10 - 0	0:42	IPO
D-24	BURTON Emeric	1	2	LEFEBVRE Justin			

Results

Pos	Name
1	BURTON Emeric, QC/st-hubert
2	LEFEBVRE Justin, QC/asbestos

Competitors

#	Name	Grade	Club	1	2	3	4	Wins	Pts	Pos
1	NGOMBI Jeremie	3k	QC/Shidokan		7	10	10	3	27	1
2	ANDRIAMANANA Faniry Michael	2k	QC/st-hyacinthe				10	1	10	3
3	DURAND Jeremy	3k	QC/cjvr		10		10	2	20	2
4	LAVALLÉE Clement	3k	QC/Blainville					0	0	4

Matches

Match	White			Blue	Result	Time	Code
C-47	NGOMBI Jeremie	1	2	ANDRIAMANANA Faniry Michael	7 - 0	3:00	WAZ
C-48	DURAND Jeremy	3	4	LAVALLÉE Clement	10 - 0	1:59	WIP
C-51	NGOMBI Jeremie	1	3	DURAND Jeremy	10 - 0	1:59	IPO
C-52	ANDRIAMANANA Faniry Michael	2	4	LAVALLÉE Clement	10 - 0	1:12	IPO
C-57	NGOMBI Jeremie	1	4	LAVALLÉE Clement	10 - 0	0:32	IPO
C-58	ANDRIAMANANA Faniry Michael	2	3	DURAND Jeremy	0 - 10	2:13	IPO

Results

Pos	Name
1	NGOMBI Jeremie, QC/Shidokan
2	DURAND Jeremy, QC/cjvr
3	ANDRIAMANANA Faniry Michael, QC/st-hyacinthe
4	LAVALLÉE Clement, QC/Blainville

Competitors

#	Name	Grade	Club	1	2	3	4	5	Wins	Pts	Pos
1	DUHAMEL Loic-Olivier	4k+	QC/cjvr			10			1	10	4
2	FORGET Loic	4k+	QC/du raku	10		10	10		3	30	2
3	LOUAHLA Yanis	5k	QC/metropolitain						0	0	5
4	WOODWARD Delen	4k	QC/donini	10		10		5	3	25	3
5	SHEVCHENKO Danyil	5k	QC/Shidokan	10	10	10			3	30	1

Matches

Match	White			Blue	Result	Time	Code
B-11	WOODWARD Delen	4	5	SHEVCHENKO Danyil	5 - 0	3:00	YUK
B-12	DUHAMEL Loic-Olivier	1	2	FORGET Loic	0 - 10	2:16	WIP
B-15	LOUAHLA Yanis	3	4	WOODWARD Delen	0 - 10	2:32	IPO
B-16	DUHAMEL Loic-Olivier	1	5	SHEVCHENKO Danyil	0 - 10	1:49	IPO
B-21	FORGET Loic	2	3	LOUAHLA Yanis	10 - 0	0:09	IPO
B-22	DUHAMEL Loic-Olivier	1	4	WOODWARD Delen	0 - 10	0:31	WIP
B-29	LOUAHLA Yanis	3	5	SHEVCHENKO Danyil	0 - 10	2:41	KIK
B-30	FORGET Loic	2	4	WOODWARD Delen	10 - 0	0:52	IPO
B-35	DUHAMEL Loic-Olivier	1	3	LOUAHLA Yanis	10 - 0	0:01	FUS
B-36	FORGET Loic	2	5	SHEVCHENKO Danyil	0 - 10	2:07	IPO

Results

Pos	Name
1	SHEVCHENKO Danyil, QC/Shidokan
2	FORGET Loic, QC/du raku
3	WOODWARD Delen, QC/donini
4	DUHAMEL Loic-Olivier, QC/cjvr
5	LOUAHLA Yanis, QC/metropolitain

Competitors

#	Name	Grade	Club	1	2	3	Wins	Pts	Pos
1	BATDORJ Munkhjin	3k	QC/judo ben		10	10	2	20	1
2	HAMEL Marco	3k+	QC/cjvr				0	0	3
3	NERON Pascal	3k	QC/St-Jean-Bosco		10		1	10	2

Matches

Match	White			Blue	Result	Time	Code
B-45	BATDORJ Munkhjin	1	2	HAMEL Marco	10 - 0	0:05	IPO
B-50	BATDORJ Munkhjin	1	3	NERON Pascal	10 - 0	1:30	WIP
B-54	HAMEL Marco	2	3	NERON Pascal	0 - 10	0:50	IPO

Results

Pos	Name
1	BATDORJ Munkhjin, QC/judo ben
2	NERON Pascal, QC/St-Jean-Bosco
3	HAMEL Marco, QC/cjvr