

Competitors

#	Name	Grade	Club	1	2	1	2	1	2	Wins	Pts	Pos
1	ECHAVE Yasmina	4k	QC/donini							0	0	2
2	BOURIHANE Sarra	4k	QC/st-leonard	10		10				2	20	1

Matches

Match	White	1	2	Blue	Result	Time	Code
C-1	ECHAVE Yasmina	1	2	BOURIHANE Sarra	0 - 10	0:57	WIP
C-9	ECHAVE Yasmina	1	2	BOURIHANE Sarra	0 - 10	1:10	WIP
C-17	ECHAVE Yasmina	1	2	BOURIHANE Sarra			

Results

Pos	Name
1	BOURIHANE Sarra, QC/st-leonard
2	ECHAVE Yasmina, QC/donini

Competitors

#	Name	Grade	Club	1	2	1	2	1	2	Wins	Pts	Pos
1	SHINK Marie-Soleil	5k	QC/perrot shima				7		10	2	17	1
2	MORIN Sarah	5k	QC/jsk laterriere	10						1	10	2

Matches

Match	White			Blue	Result	Time	Code
C-2	SHINK Marie-Soleil	1	2	MORIN Sarah	0 - 10	0:13	IPO
C-10	SHINK Marie-Soleil	1	2	MORIN Sarah	7 - 0	3:00	WAZ
C-18	SHINK Marie-Soleil	1	2	MORIN Sarah	10 - 0	1:23	WIP

Results

Pos	Name
1	SHINK Marie-Soleil, QC/perrot shima
2	MORIN Sarah, QC/jsk laterriere

Competitors

#	Name	Grade	Club	1	2	3	Wins	Pts	Pos
1	ALAOUI YAZIDI Rania	4k+	QC/budokan		10	10	2	20	1
2	BRAZEAU Myriam	5k	QC/perrot shima			10	1	10	2
3	LE BRIS Judith	4k+	QC/metropolitain				0	0	3

Matches

Match	White			Blue	Result	Time	Code
B-9	ALAOUI YAZIDI Rania	1	2	BRAZEAU Myriam	10 - 0	1:03	WIP
B-13	ALAOUI YAZIDI Rania	1	3	LE BRIS Judith	10 - 0	0:45	IPO
B-18	BRAZEAU Myriam	2	3	LE BRIS Judith	10 - 0	2:36	HAN

Results

Pos	Name
1	ALAOUI YAZIDI Rania, QC/budokan
2	BRAZEAU Myriam, QC/perrot shima
3	LE BRIS Judith, QC/metropolitain

Competitors

#	Name	Grade	Club	1	2	3	Wins	Pts	Pos
1	LOUAHLA Elias	5k	QC/metropolitain				0	0	3
2	SHARP LAMPRON William	5k	QC/olympique	10		1	2	11	1
3	SARATEANU Peter	4k+	QC/budokai	10			1	10	2

Matches

Match	White			Blue	Result	Time	Code
C-7	LOUAHLA Elias	1	2	SHARP LAMPRON William	0 - 10	1:35	WIP
C-15	LOUAHLA Elias	1	3	SARATEANU Peter	0 - 10	3:00	KIK
C-23	SHARP LAMPRON William	2	3	SARATEANU Peter	1 - 0	4:01	GSD

Results

Pos	Name
1	SHARP LAMPRON William, QC/olympique
2	SARATEANU Peter, QC/budokai
3	LOUAHLA Elias, QC/metropolitain

Competitors A

#	Name	Grade	Club	1	2	3	4	Wins	Pts	Pos
1	GAGNÉ Xavier	4k+	QC/Baie-Comeau			10	10	2	20	2
2	PALARDY Leo	4k+	QC/judo-monde	10		10	10	3	30	1
3	BELPAIRE Philippe	4k	QC/judo-monde					0	0	4
4	EL HAMA Nazar	4k+	QC/Budokan			10		1	10	3

Matches A

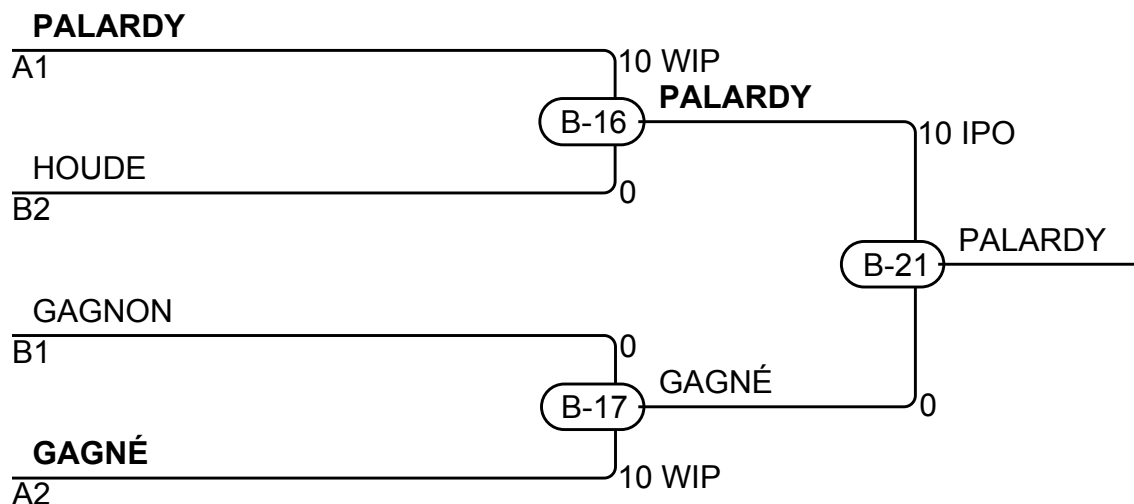
Match	White	Blue	Result	Time	Code
B-1	GAGNÉ Xavier 1 2	PALARDY Leo	0 - 10	0:24	WIP
B-2	BELPAIRE Philippe 3 4	EL HAMA Nazar	0 - 10	2:02	IPO
B-6	GAGNÉ Xavier 1 3	BELPAIRE Philippe	10 - 0	0:47	IPO
B-7	PALARDY Leo 2 4	EL HAMA Nazar	10 - 0	0:07	IPO
B-10	GAGNÉ Xavier 1 4	EL HAMA Nazar	10 - 0	0:25	WIP
B-11	PALARDY Leo 2 3	BELPAIRE Philippe	10 - 0	0:03	IPO

Competitors B

#	Name	Grade	Club	5	6	7	Wins	Pts	Pos
5	BELANGER Thomas	4k	QC/judo-monde				0	0	3
6	GAGNON Louis	4k+	QC/anjou	10		10	2	20	1
7	HOUDE Philippe	4k+	QC/jsk laterriere	10			1	10	2

Matches B

Match	White	Blue	Result	Time	Code
B-3	BELANGER Thomas 5 6	GAGNON Louis	0 - 10	0:35	WIP
B-8	BELANGER Thomas 5 7	HOUDE Philippe	0 - 10	1:04	IPO
B-12	GAGNON Louis 6 7	HOUDE Philippe	10 - 0	0:36	WIP



Results

Pos	Name
1	PALARDY Leo, QC/judo-monde
2	GAGNÉ Xavier, QC/Baie-Comeau
3	HOUDE Philippe, QC/jsk laterriere
3	GAGNON Louis, QC/anjou

Competitors

#	Name	Grade	Club	1	2	3	Wins	Pts	Pos
1	FREZZA Tyson	5k+	QC/olympique		10	10	2	20	1
2	KADI Djamel	4k+	QC/metropolitain			10	1	10	2
3	ROCHELEAU Laurent	5k	QC/pat				0	0	3

Matches

Match	White			Blue	Result	Time	Code
C-3	FREZZA Tyson	1	2	KADI Djamel	10 - 0	1:41	WIP
C-11	FREZZA Tyson	1	3	ROCHELEAU Laurent	10 - 0	0:58	IPO
C-19	KADI Djamel	2	3	ROCHELEAU Laurent	10 - 0	0:44	WIP

Results

Pos	Name
1	FREZZA Tyson, QC/olympique
2	KADI Djamel, QC/metropolitain
3	ROCHELEAU Laurent, QC/pat

Competitors

#	Name	Grade	Club	1	2	3	4	Wins	Pts	Pos
1	FACI Ahmed Amine	5k	QC/olympique			10		1	10	3
2	ARAPOVIC Ivan	5k	QC/budokan	10		10		2	20	2
3	MEDDAH Mohamed Housseem	4k	QC/budokan					0	0	4
4	LIENERT-PELLETIER Malik	4k	QC/rouyn-noranda	10	10	10		3	30	1

Matches

Match	White			Blue	Result	Time	Code
B-4	FACI Ahmed Amine	1	2	ARAPOVIC Ivan	0 - 10	1:10	IPO
B-5	MEDDAH Mohamed Housseem	3	4	LIENERT-PELLETIER Malik	0 - 10	3:00	IPO
B-14	FACI Ahmed Amine	1	3	MEDDAH Mohamed Housseem	10 - 0	2:18	IPO
B-15	ARAPOVIC Ivan	2	4	LIENERT-PELLETIER Malik	0 - 10	1:22	WIP
B-19	FACI Ahmed Amine	1	4	LIENERT-PELLETIER Malik	0 - 10	0:50	WIP
B-20	ARAPOVIC Ivan	2	3	MEDDAH Mohamed Housseem	10 - 0	0:19	IPO

Results

Pos	Name
1	LIENERT-PELLETIER Malik, QC/rouyn-noranda
2	ARAPOVIC Ivan, QC/budokan
3	FACI Ahmed Amine, QC/olympique
4	MEDDAH Mohamed Housseem, QC/budokan

Competitors

#	Name	Grade	Club	1	2	3	Wins	Pts	Pos
1	VERREAULT-LAPRISE Joannie	5k	QC/kiseki		10		1	10	2
2	LARAMÉE Mélanie	4k	QC/judosphere				0	0	3
3	MANOLIKAKIS Kasey	5k	QC/metropolitain	10	10		2	20	1

Matches

Match	White			Blue	Result	Time	Code
C-4	VERREAULT-LAPRISE Joannie	1	2	LARAMÉE Mélanie	10 - 0	0:23	IPO
C-12	VERREAULT-LAPRISE Joannie	1	3	MANOLIKAKIS Kasey	0 - 10	1:06	WIP
C-20	LARAMÉE Mélanie	2	3	MANOLIKAKIS Kasey	0 - 10	0:20	IPO

Results

Pos	Name
1	MANOLIKAKIS Kasey, QC/metropolitain
2	VERREAULT-LAPRISE Joannie, QC/kiseki
3	LARAMÉE Mélanie, QC/judosphere

Competitors

#	Name	Grade	Club	1	2	1	2	1	2	Wins	Pts	Pos
1	CLEROUX Gerard	4k	QC/Evolution							0	0	2
2	BOUCHER Etienne	4k	QC/st-hubert	10		10				2	20	1

Matches

Match	White			Blue	Result	Time	Code
C-8	CLEROUX Gerard	1	2	BOUCHER Etienne	0 - 10	2:18	IPO
C-16	CLEROUX Gerard	1	2	BOUCHER Etienne	0 - 10	1:28	IPO
C-24	CLEROUX Gerard	1	2	BOUCHER Etienne			

Results

Pos	Name
1	BOUCHER Etienne, QC/st-hubert
2	CLEROUX Gerard, QC/Evolution

Competitors

#	Name	Grade	Club	1	2	1	2	1	2	Wins	Pts	Pos
1	CHETARA Adam	3k+	QC/st-paul-l'ermite		10				10	2	20	1
2	PERREAULT Marc	5k	QC/blainville			10				1	10	2

Matches

Match	White	1	2	Blue	Result	Time	Code
C-5	CHETARA Adam	1	2	PERREAULT Marc	10 - 0	0:04	IPO
C-13	CHETARA Adam	1	2	PERREAULT Marc	0 - 10	2:17	IPO
C-21	CHETARA Adam	1	2	PERREAULT Marc	10 - 0	1:53	IPO

Results

Pos	Name
1	CHETARA Adam, QC/st-paul-l'ermite
2	PERREAULT Marc, QC/blainville

Competitors

#	Name	Grade	Club	1	2	1	2	1	2	Wins	Pts	Pos
1	MORENO Joshua	3k	QC/Shidokan		10					1	10	2
2	GUILLET Yanneck	5k	QC/ITC Budokan			10		10		2	20	1

Matches

Match	White			Blue	Result	Time	Code
C-6	MORENO Joshua	1	2	GUILLET Yanneck	10 - 0	0:37	IPO
C-14	MORENO Joshua	1	2	GUILLET Yanneck	0 - 10	0:16	IPO
C-22	MORENO Joshua	1	2	GUILLET Yanneck	0 - 10	1:31	IPO

Results

Pos	Name
1	GUILLET Yanneck, QC/ITC Budokan
2	MORENO Joshua, QC/Shidokan