

## Competitors

#	Name	Grade	Club	1	2	Wins	Pts	Pos
1	DESROCHERS Vincent	1k	QC/Judo Victo		10	1	10	1
2	TURCAN Troian	3k	QC/Shidokan			0	0	2

## Matches

Match	White			Blue	Result	Time	Code
1	DESROCHERS Vincent	1	2	TURCAN Troian	10 - 0	0:00	IPO

## Results

Pos	Name
1	DESROCHERS Vincent, QC/Judo Victo
2	TURCAN Troian, QC/Shidokan

## Competitors

#	Name	Grade	Club	1	2	Wins	Pts	Pos
1	CAMONFOUR Zachary	1k	QC/Boucherville		10	1	10	1
2	BOLTE Jérôme	2k	QC/Mont-Bruno			0	0	2

## Matches

Match	White			Blue	Result	Time	Code
1	CAMONFOUR Zachary	1	2	BOLTE Jérôme	10 - 0	0:00	IPO

## Results

Pos	Name
1	CAMONFOUR Zachary, QC/Boucherville
2	BOLTE Jérôme, QC/Mont-Bruno

**Competitors**

#	Name	Grade	Club	1	2	Wins	Pts	Pos
1	OUALI Wassim	1d	QC/Shidokan		10	1	10	1
2	ST-JEAN Jacob	1k	QC/Boucherville			0	0	2

**Matches**

Match	White	Blue	Result	Time	Code
1	OUALI Wassim	1 2 ST-JEAN Jacob	10 - 0	0:00	IPO

**Results**

Pos	Name
1	OUALI Wassim, QC/Shidokan
2	ST-JEAN Jacob, QC/Boucherville

**Competitors**

#	Name	Grade	Club	1	2	3	Wins	Pts	Pos
1	MEZAOUR Camélia	1k	QC/St-Léonard			1	1	1	2
2	OUALI Ilhem	1k	QC/Shidokan	10			1	10	1
3	ÉMOND Roxanne	1k	QC/JSK Laterrière		1		1	1	3

**Matches**

Match	White			Blue	Result	Time	Code
E-1	MEZAOUR Camélia	1	2	<b>OUALI Ilhem</b>	0 - 10	0:39	GSI
E-2	<b>MEZAOUR Camélia</b>	1	3	ÉMOND Roxanne	1 - 0	1:21	GSD
E-3	OUALI Ilhem	2	3	<b>ÉMOND Roxanne</b>	0 - 1	0:45	GSD

**Results**

Pos	Name
1	OUALI Ilhem, QC/Shidokan
2	MEZAOUR Camélia, QC/St-Léonard
3	ÉMOND Roxanne, QC/JSK Laterrière

## Competitors

#	Name	Grade	Club	1	Wins	Pts	Pos
1	SYNNOTT Josie-Anne	1k	QC/Sept-Iles		0	0	1

## Matches

Match	White	Blue	Result	Time	Code
-------	-------	------	--------	------	------

## Results

Pos	Name
1	SYNNOTT Josie-Anne, QC/Sept-Iles

## Competitors

#	Name	Grade	Club	1	Wins	Pts	Pos
1	MAILHOT-SENEZ Mélodie	2k	QC/Bushidokan		0	0	1

## Matches

Match	White	Blue	Result	Time	Code
-------	-------	------	--------	------	------

## Results

Pos	Name
1	MAILHOT-SENEZ Mélodie, QC/Bushidokan

### Competitors

#	Name	Grade	Club	1	2	3	4	Wins	Pts	Pos
1	ARÈS Ève	1k	QC/St-Hyacinthe		10			1	10	3
2	MAILHOT-SENEZ Mélodie	2k	QC/Bushidokan					0	0	4
3	BOUSBIAT Amira	1k	QC/Boucherville	10	10		10	3	30	1
4	SCREMIN Sabrina	1k	QC/Sept-Iles	10	10			2	20	2

### Matches

Match	White		Blue		Result	Time	Code
B-9	<b>ARÈS Ève</b>	1	2	MAILHOT-SENEZ Mélodie	10 - 0	2:50	IPO
B-10	<b>BOUSBIAT Amira</b>	3	4	SCREMIN Sabrina	10 - 0	2:29	IPO
B-17	ARÈS Ève	1	3	<b>BOUSBIAT Amira</b>	0 - 10	3:27	IPO
B-18	MAILHOT-SENEZ Mélodie	2	4	<b>SCREMIN Sabrina</b>	0 - 10	1:50	IPO
B-22	ARÈS Ève	1	4	<b>SCREMIN Sabrina</b>	0 - 10	3:45	WIP
B-23	MAILHOT-SENEZ Mélodie	2	3	<b>BOUSBIAT Amira</b>	0 - 10	0:01	FUS

### Results

Pos	Name
1	BOUSBIAT Amira, QC/Boucherville
2	SCREMIN Sabrina, QC/Sept-Iles
3	ARÈS Ève, QC/St-Hyacinthe
4	MAILHOT-SENEZ Mélodie, QC/Bushidokan

# Espoit 2016 U14 10 décembre 2016 Deux-Montagnes U18F -57

Competitors: 4

## Competitors

#	Name	Grade	Club	1	2	3	4	Wins	Pts	Pos
1	GAGNON Mélodie	1k	QC/Baie-Comeau				10	1	10	3
2	RHEIN Léa	3k	QC/Shidokan	10		10	10	3	30	1
3	BLAIS-DUPUIS Meagan	1k	QC/St-Hubert	10			10	2	20	2
4	AVOMO-MVOLO Ketsia	3k	QC/St-jean-Bosco					0	0	4

## Matches

Match	White			Blue	Result	Time	Code
A-13	GAGNON Mélodie	1	2	RHEIN Léa	0 - 10	1:24	IPO
A-14	BLAIS-DUPUIS Meagan	3	4	AVOMO-MVOLO Ketsia	10 - 0	1:20	IPO
A-21	GAGNON Mélodie	1	3	BLAIS-DUPUIS Meagan	0 - 10	1:08	WIP
A-22	RHEIN Léa	2	4	AVOMO-MVOLO Ketsia	10 - 0	0:37	IPO
A-25	GAGNON Mélodie	1	4	AVOMO-MVOLO Ketsia	10 - 0	0:19	IPO
A-26	RHEIN Léa	2	3	BLAIS-DUPUIS Meagan	10 - 0	3:35	WIP

## Results

Pos	Name
1	RHEIN Léa, QC/Shidokan
2	BLAIS-DUPUIS Meagan, QC/St-Hubert
3	GAGNON Mélodie, QC/Baie-Comeau
4	AVOMO-MVOLO Ketsia, QC/St-jean-Bosco



# Esprit 2016 U14 10 décembre 2016 Deux-Montagnes U18F -63

Competitors: 5

## Competitors

#	Name	Grade	Club	1	2	3	4	5	Wins	Pts	Pos
1	MEZAOUR Camélia	1k	QC/St-Léonard		10	10	10		3	30	3
2	OUALI Ilhem	1k	QC/Shidokan			10	10	10	3	30	2
3	FONTAINE Megghann	1k	QC/Kime Waza				10		1	10	4
4	AKENKOU Rim	3k	QC/Anjou						0	0	5
5	ÉMOND Roxanne	1k	QC/JSK Laterrière	10		10	10		3	30	1

## Matches

Match	White			Blue	Result	Time	Code
C-1	AKENKOU Rim	4	5	ÉMOND Roxanne	0 - 10	0:53	IPO
C-2	MEZAOUR Camélia	1	2	OUALI Ilhem	10 - 0	3:55	IPO
C-6	FONTAINE Megghann	3	4	AKENKOU Rim	10 - 0	0:08	IPO
C-7	MEZAOUR Camélia	1	5	ÉMOND Roxanne	0 - 10	1:07	IPO
C-11	OUALI Ilhem	2	3	FONTAINE Megghann	10 - 0	0:14	IPO
C-12	MEZAOUR Camélia	1	4	AKENKOU Rim	10 - 0	0:43	IPO
C-17	FONTAINE Megghann	3	5	ÉMOND Roxanne	0 - 10	0:56	IPO
C-18	OUALI Ilhem	2	4	AKENKOU Rim	10 - 0	0:17	IPO
C-22	MEZAOUR Camélia	1	3	FONTAINE Megghann	10 - 0	0:06	IPO
C-23	OUALI Ilhem	2	5	ÉMOND Roxanne	10 - 0	2:22	WIP

## Results

Pos	Name
1	ÉMOND Roxanne, QC/JSK Laterrière
2	OUALI Ilhem, QC/Shidokan
3	MEZAOUR Camélia, QC/St-Léonard
4	FONTAINE Megghann, QC/Kime Waza
5	AKENKOU Rim, QC/Anjou

**Competitors**

#	Name	Grade	Club	1	2	1	2	1	2	Wins	Pts	Pos
1	SANSHAGRAIN Natasha	4k	QC/Perrot-Shima							0	0	2
2	HADDADOU Shaneen	4k	QC/Judo Ben	10		10				2	20	1

**Matches**

Match	White			Blue	Result	Time	Code
D-12	SANSHAGRAIN Natasha	1	2	HADDADOU Shaneen	0 - 10	0:45	IPO
D-19	SANSHAGRAIN Natasha	1	2	HADDADOU Shaneen	0 - 10	1:32	IPO
D-25	SANSHAGRAIN Natasha	1	2	HADDADOU Shaneen			

**Results**

Pos	Name
1	HADDADOU Shaneen, QC/Judo Ben
2	SANSHAGRAIN Natasha, QC/Perrot-Shima

## Competitors

#	Name	Grade	Club	1	Wins	Pts	Pos
1	PAQUET Simon	1k	QC/Albatros		0	0	1

## Matches

Match	White	Blue	Result	Time	Code
-------	-------	------	--------	------	------

## Results

Pos	Name
1	PAQUET Simon, QC/Albatros

## Competitors

#	Name	Grade	Club	1	2	3	Wins	Pts	Pos
1	FORTIER Marc-Antoine	2k	QC/Boucherville				0	0	3
2	TREMBLAY Justin	1k	QC/Seikidokan	10		5	2	15	1
3	DROLET Émile	1k	QC/Albatros	10			1	10	2

## Matches

Match	White			Blue	Result	Time	Code
B-4	FORTIER Marc-Antoine	1	2	<b>TREMBLAY Justin</b>	0 - 10	1:55	WIP
B-16	FORTIER Marc-Antoine	1	3	<b>DROLET Émile</b>	0 - 10	1:59	IPO
B-21	<b>TREMBLAY Justin</b>	2	3	DROLET Émile	5 - 0	4:35	GSY

## Results

Pos	Name
1	TREMBLAY Justin, QC/Seikidokan
2	DROLET Émile, QC/Albatros
3	FORTIER Marc-Antoine, QC/Boucherville

### Competitors A

#	Name	Grade	Club	1	2	3	4	Wins	Pts	Pos
1	ARAR Carlos Souleimane	3k	QC/Jikan		10	10	10	3	30	1
2	NUARA Adam	1k	QC/Shidokan			10	10	2	20	2
3	SAURIOL Nathan	2k	QC/Blainville					0	0	4
4	DAVIAU Zachary	2k	QC/St-Hyacinthe			1		1	1	3

### Matches A

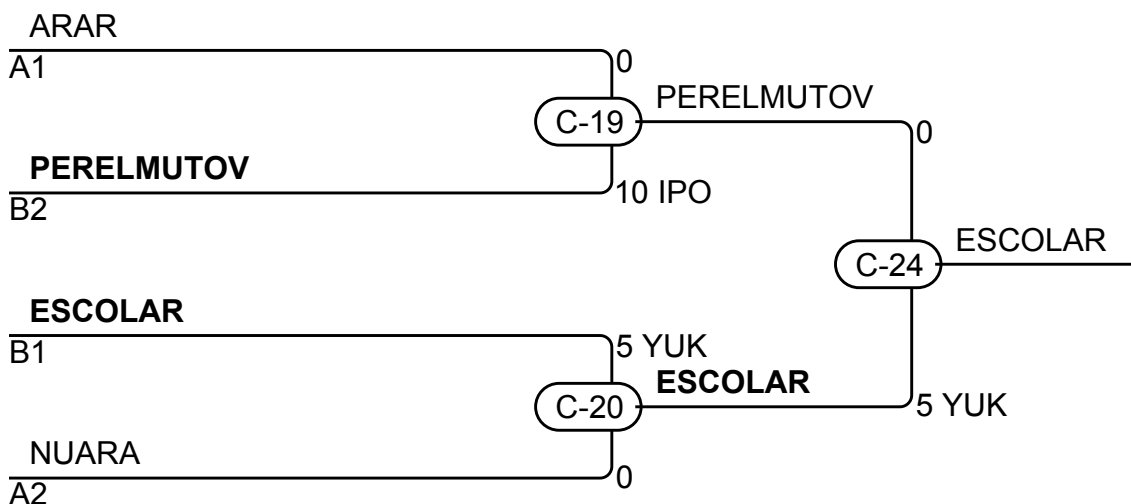
Match	White	Blue	Result	Time	Code
C-3	ARAR Carlos Souleimane 1 2	NUARA Adam	10 - 0	1:57	IPO
C-4	SAURIOL Nathan 3 4	DAVIAU Zachary	0 - 1	4:00	YUS
C-8	ARAR Carlos Souleimane 1 3	SAURIOL Nathan	10 - 0	1:57	IPO
C-9	NUARA Adam 2 4	DAVIAU Zachary	10 - 0	2:12	IPO
C-13	ARAR Carlos Souleimane 1 4	DAVIAU Zachary	10 - 0	1:00	IPO
C-14	NUARA Adam 2 3	SAURIOL Nathan	10 - 0	0:32	IPO

### Competitors B

#	Name	Grade	Club	5	6	7	Wins	Pts	Pos
5	LAROSE Thomas	3k	QC/St-jean-Bosco				0	0	3
6	ESCOLAR Thomas	1k	QC/Shidokan	10		10	2	20	1
7	PERELMUTOV Keven	2k	QC/Shidokan	10			1	10	2

### Matches B

Match	White	Blue	Result	Time	Code
C-5	LAROSE Thomas 5 6	ESCOLAR Thomas	0 - 10	0:24	IPO
C-10	LAROSE Thomas 5 7	PERELMUTOV Keven	0 - 10	0:20	IPO
C-15	ESCOLAR Thomas 6 7	PERELMUTOV Keven	10 - 0	1:24	IPO



### Results

Pos	Name
1	ESCOLAR Thomas, QC/Shidokan
2	PERELMUTOV Keven, QC/Shidokan
3	ARAR Carlos Souleimane, QC/Jikan
3	NUARA Adam, QC/Shidokan

### Competitors A

#	Name	Grade	Club	1	2	3	4	Wins	Pts	Pos
1	CARAMAN Victor	3k	QC/Bushidokan					0	0	4
2	DESROCHERS Vincent	1k	QC/Judo Victo	10		10	10	3	30	1
3	BOUCHER Nicolas	2k	QC/Sept-Iles	10			10	2	20	2
4	ZBINDEN Vladimir	1k	QC/St-Hubert	10				1	10	3

### Matches A

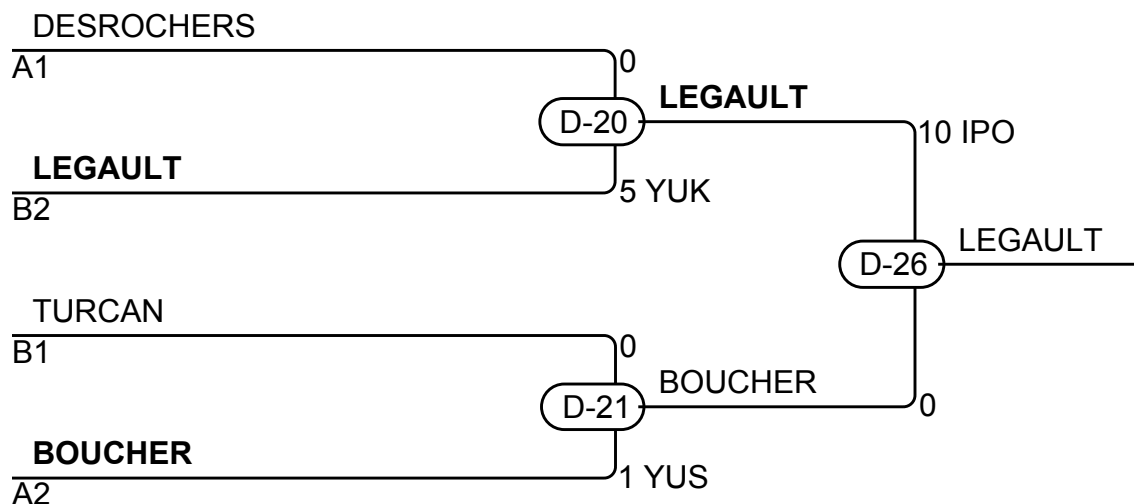
Match	White	Blue	Result	Time	Code
D-1	CARAMAN Victor 1 2	<b>DESROCHERS Vincent</b>	0 - 10	1:04	IPO
D-2	<b>BOUCHER Nicolas</b> 3 4	ZBINDEN Vladimir	10 - 0	2:17	IPO
D-6	CARAMAN Victor 1 3	<b>BOUCHER Nicolas</b>	0 - 10	0:21	IPO
D-7	<b>DESROCHERS Vincent</b> 2 4	ZBINDEN Vladimir	10 - 0	0:22	IPO
D-13	CARAMAN Victor 1 4	<b>ZBINDEN Vladimir</b>	0 - 10	0:16	IPO
D-14	<b>DESROCHERS Vincent</b> 2 3	BOUCHER Nicolas	10 - 0	1:53	IPO

### Competitors B

#	Name	Grade	Club	5	6	7	Wins	Pts	Pos
5	BLAKE Benjamin	3k	QC/Verdun				0	0	3
6	LEGAULT Olivier	1k	QC/Boucherville	10			1	10	2
7	TURCAN Troian	3k	QC/Shidokan	10	5		2	15	1

### Matches B

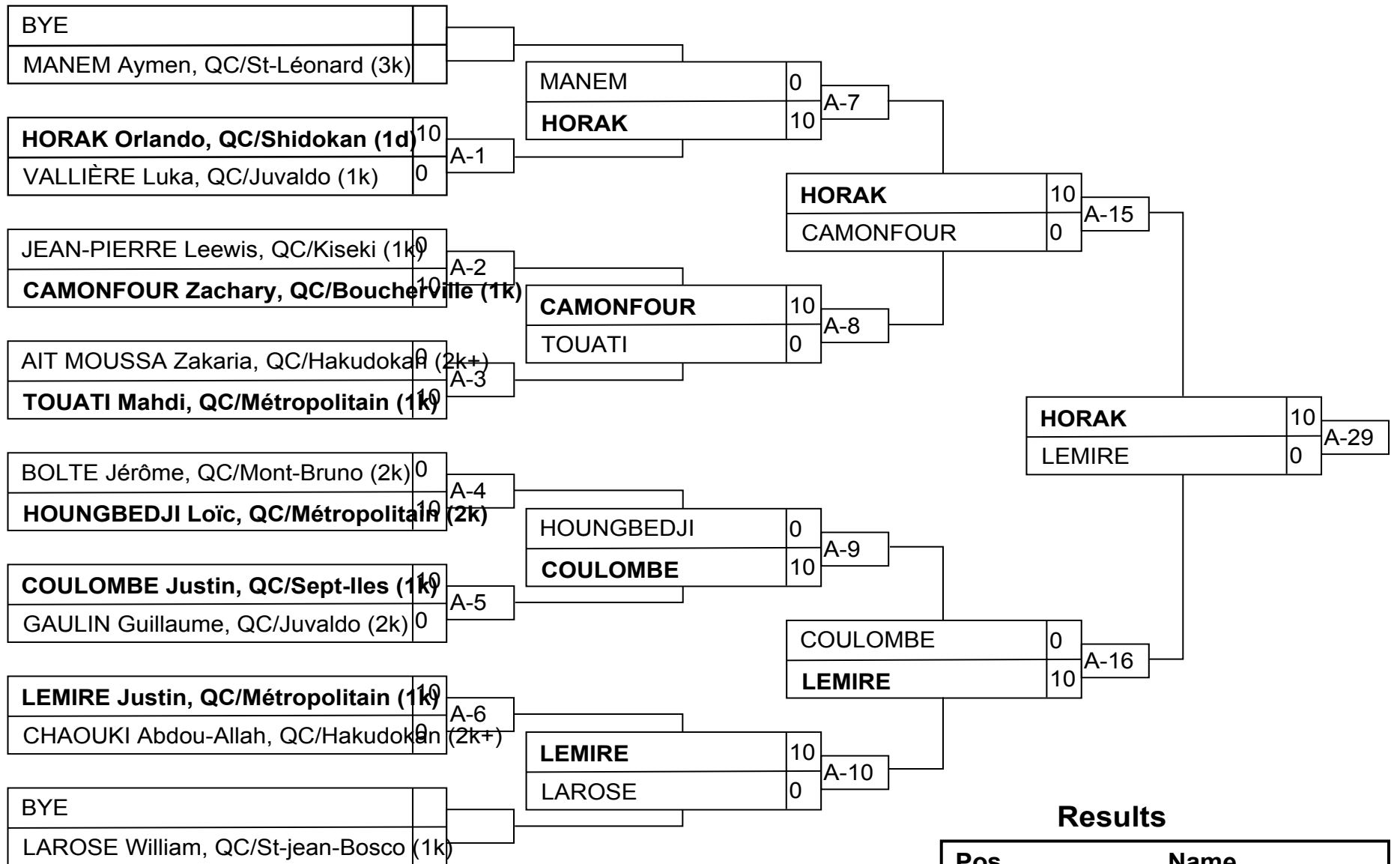
Match	White	Blue	Result	Time	Code
D-3	BLAKE Benjamin 5 6	<b>LEGAULT Olivier</b>	0 - 10	1:01	IPO
D-8	BLAKE Benjamin 5 7	<b>TURCAN Troian</b>	0 - 10	2:11	WIP
D-15	LEGAULT Olivier 6 7	<b>TURCAN Troian</b>	0 - 5	4:00	YUK



### Results

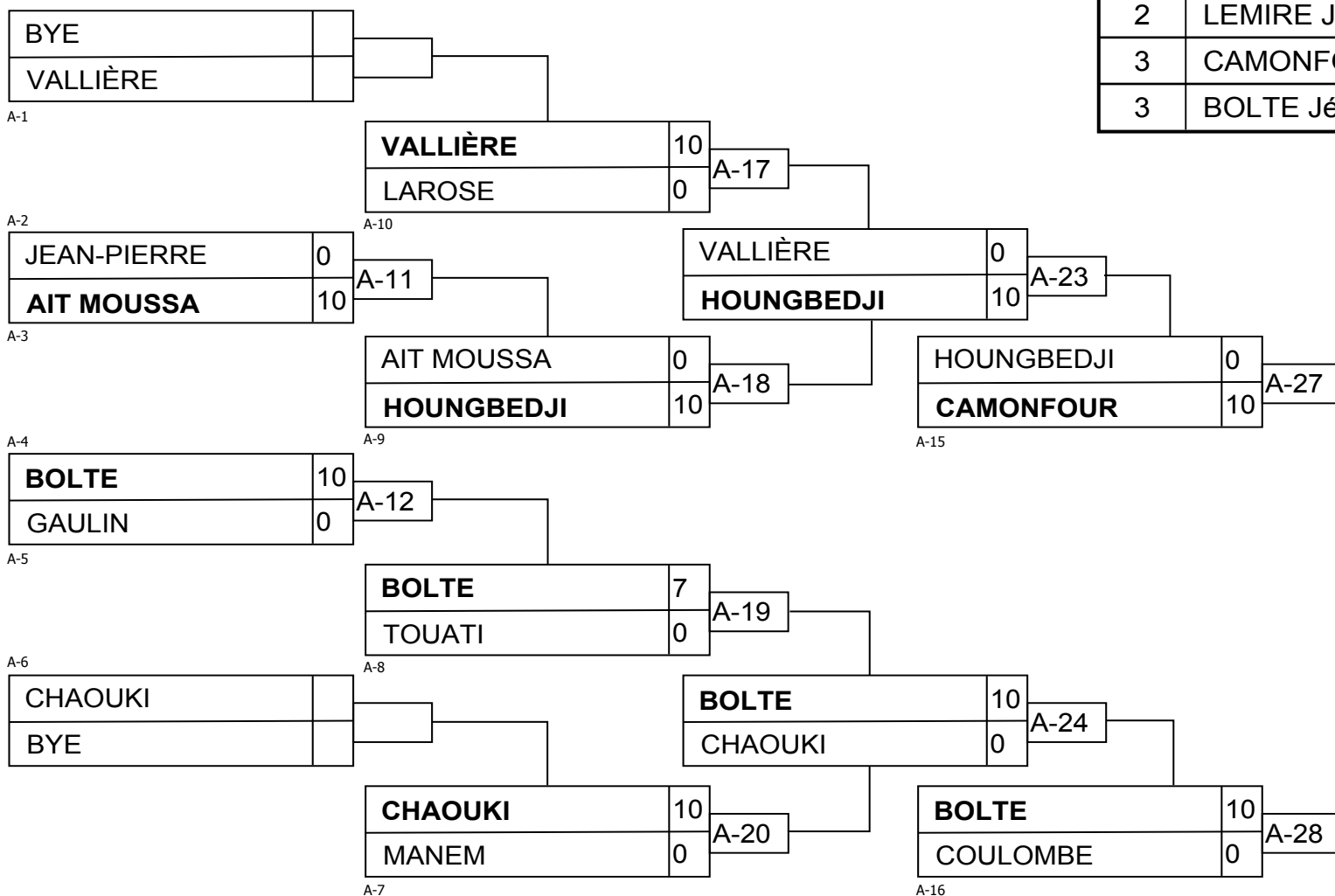
Pos	Name
1	LEGAULT Olivier, QC/Boucherville
2	BOUCHER Nicolas, QC/Sept-Iles
3	DESROCHERS Vincent, QC/Judo Victo
3	TURCAN Troian, QC/Shidokan

# U18M -66



## Results

Pos	Name
1	HORAK Orlando, QC/Shidokan (1d)
2	LEMIRE Justin, QC/Métropolitain (1k)
3	CAMONFOUR Zachary, QC/Boucherville (1k)
3	BOLTE Jérôme, QC/Mont-Bruno (2k)



**Competitors**

#	Name	Grade	Club	1	2	3	Wins	Pts	Pos
1	CLORAN Frédéric	5k+	QC/St-Paul L'Ermite			10	1	10	2
2	BELISLE-CÔTÉ Tapio	4k	QC/Budokai	10		10	2	20	1
3	MALTAIS Simon	4k	QC/Haut-Richelieu				0	0	3

**Matches**

Match	White			Blue	Result	Time	Code
C-16	CLORAN Frédéric	1	2	<b>BELISLE-CÔTÉ Tapio</b>	0 - 10	0:11	IPO
C-21	<b>CLORAN Frédéric</b>	1	3	MALTAIS Simon	10 - 0	0:45	IPO
C-25	<b>BELISLE-CÔTÉ Tapio</b>	2	3	MALTAIS Simon	10 - 0	1:09	IPO

**Results**

Pos	Name
1	BELISLE-CÔTÉ Tapio, QC/Budokai
2	CLORAN Frédéric, QC/St-Paul L'Ermite
3	MALTAIS Simon, QC/Haut-Richelieu





**Competitors**

#	Name	Grade	Club	1	2	1	2	1	2	Wins	Pts	Pos
1	CHEFF Isaac	5k	QC/St-jean-Bosco							0	0	2
2	MAILHOT Olivier	4k	QC/Varennes	10		10				2	20	1

**Matches**

Match	White			Blue	Result	Time	Code
D-11	CHEFF Isaac	1	2	<b>MAILHOT Olivier</b>	0 - 10	0:50	IPO
D-18	CHEFF Isaac	1	2	<b>MAILHOT Olivier</b>	0 - 10	0:18	IPO
D-24	CHEFF Isaac	1	2	MAILHOT Olivier			

**Results**

Pos	Name
1	MAILHOT Olivier, QC/Varennes
2	CHEFF Isaac, QC/St-jean-Bosco

## Competitors A

#	Name	Grade	Club	1	2	3	Wins	Pts	Pos
1	KHAVERI Sjjad	2k	QC/Donini		10		1	10	2
2	LAGANIÈRE-BOLDUC Tristan	2k	QC/St-Hyacinthe				0	0	3
3	ARENCIBIA Alexandre	1d	QC/Shidokan	10	10		2	20	1

## Matches A

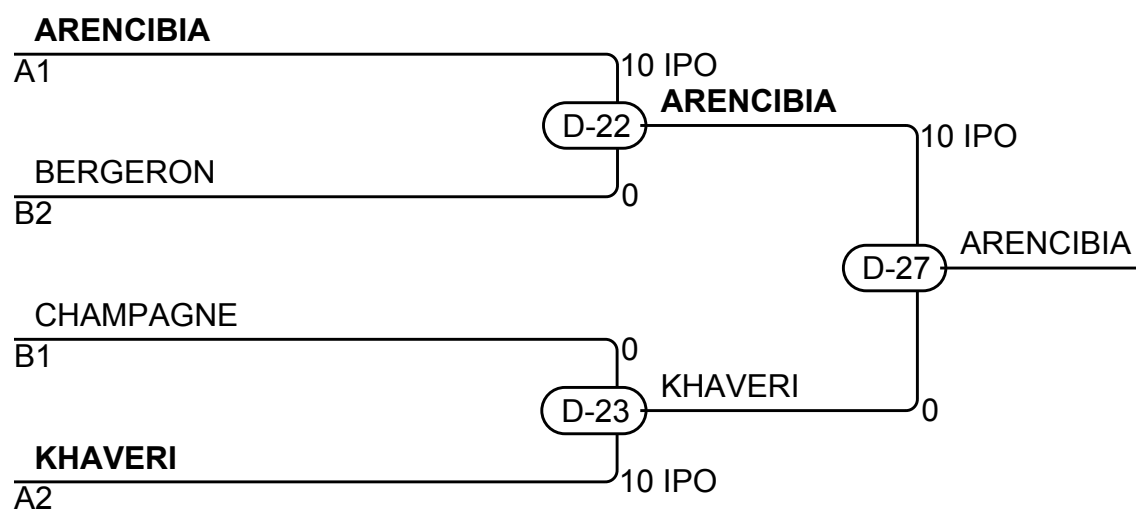
Match	White	Blue	Result	Time	Code
D-4	KHAVERI Sjjad 1 2	LAGANIÈRE-BOLDUC Tristan	10 - 0	2:32	WIP
D-9	KHAVERI Sjjad 1 3	ARENCIBIA Alexandre	0 - 10	1:58	IPO
D-16	LAGANIÈRE-BOLDUC Tristan 2 3	ARENCIBIA Alexandre	0 - 10	0:11	IPO

## Competitors B

#	Name	Grade	Club	4	5	6	Wins	Pts	Pos
4	BERGERON Boris	1k	QC/Shidokan		10		1	10	2
5	GRANDCHAMP Nicolas	3k	QC/Seikidokan				0	0	3
6	CHAMPAGNE Jérôme	1k	QC/Varenes	10	10		2	20	1

## Matches B

Match	White	Blue	Result	Time	Code
D-5	BERGERON Boris 4 5	GRANDCHAMP Nicolas	10 - 0	0:34	WIP
D-10	BERGERON Boris 4 6	CHAMPAGNE Jérôme	0 - 10	2:46	IPO
D-17	GRANDCHAMP Nicolas 5 6	CHAMPAGNE Jérôme	0 - 10	0:43	IPO



## Results

Pos	Name
1	ARENCIBIA Alexandre, QC/Shidokan
2	KHAVERI Sjjad, QC/Donini
3	BERGERON Boris, QC/Shidokan
3	CHAMPAGNE Jérôme, QC/Varenes